

# Octal buffers with 3-state outputs

# HEF40244B buffers

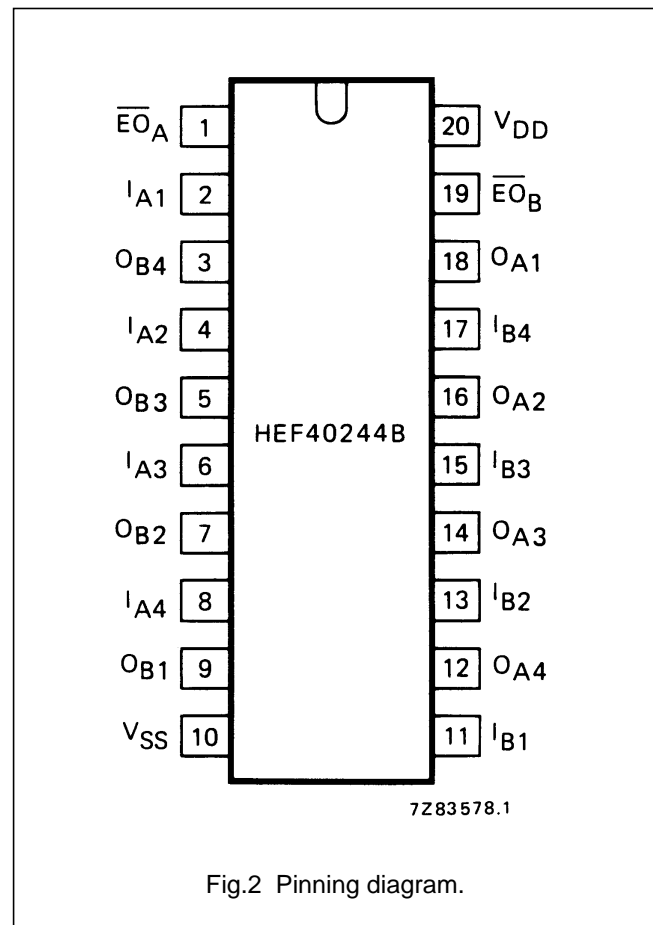
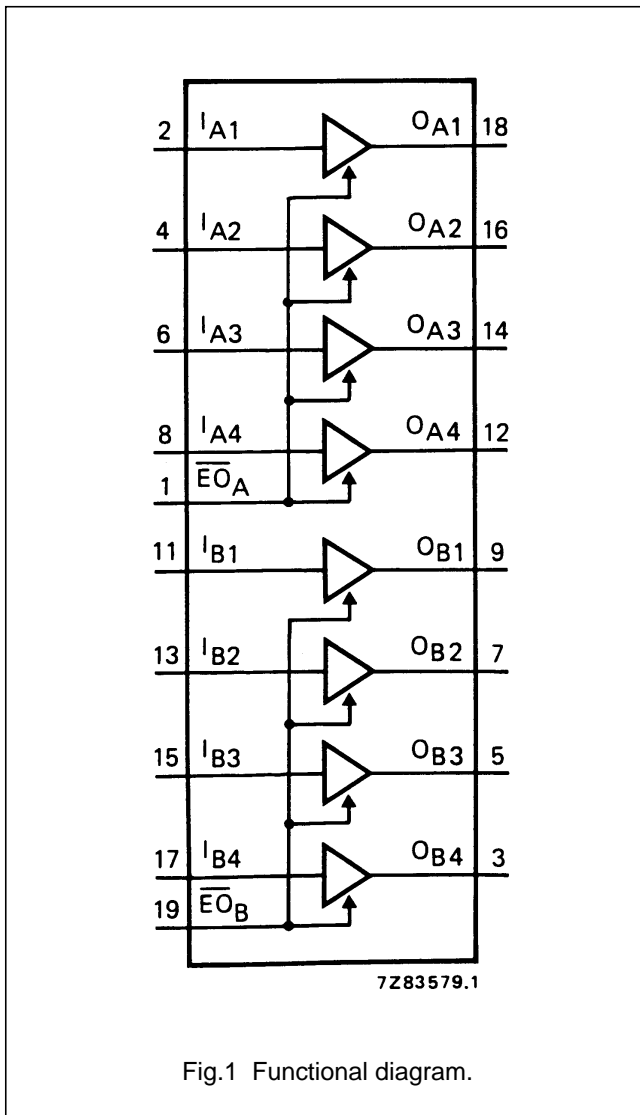
### DESCRIPTION

The HEF40244B is an octal non-inverting buffer with 3-state outputs. It features output stages with high current output capability suitable for driving highly capacitive loads.

The 3-state outputs are controlled by the output enable inputs  $\overline{EO}_A$  and  $\overline{EO}_B$ . A HIGH on  $\overline{EO}$  causes the outputs to assume a high impedance OFF-state. The device also features hysteresis on all inputs to improve noise immunity.

Schmitt-trigger action in the inputs makes the circuit highly tolerant to slower input rise and fall times.

The HEF40244B is pin and functionally compatible with the TTL '244' device.



- HEF40244BP(N): 20-lead DIL; plastic (SOT146-1)
- HEF40244BD(F): 20-lead DIL; ceramic (cerdip) (SOT152)
- HEF40244BT(D): 20-lead SO; plastic (SOT163-1)
- ( ): Package Designator North America

### PINNING

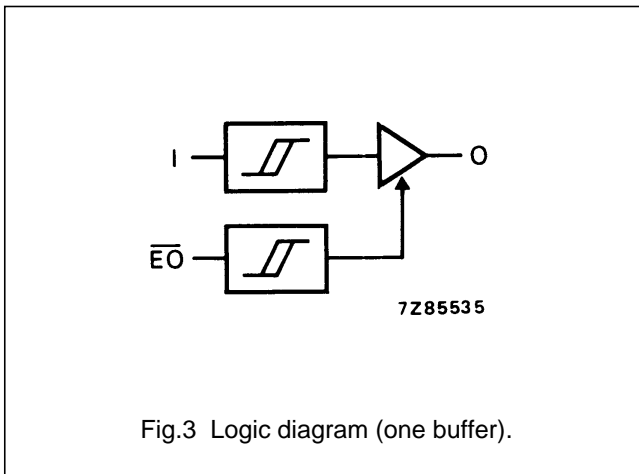
- $I_{A1}$  to  $I_{A4}$  inputs
- $I_{B1}$  to  $I_{B4}$  inputs
- $O_{A1}$  to  $O_{A4}$  bus outputs
- $O_{B1}$  to  $O_{B4}$  bus outputs
- $\overline{EO}_A$ ,  $\overline{EO}_B$  output enable inputs (active LOW)

### FAMILY DATA, $I_{DD}$ LIMITS category buffers

See Family Specifications

Octal buffers with 3-state outputs

HEF40244B  
buffers



TRUTH TABLE

INPUTS		OUTPUT
I <sub>n</sub>	$\overline{EO}$	O <sub>n</sub>
H	L	H
L	L	L
X	H	Z

Notes

- H = HIGH state (the more positive voltage)  
L = LOW state (the less positive voltage)  
X = state is immaterial  
Z = high impedance off state

RATINGS

Limiting values in accordance with the Absolute Maximum System (IEC 134).

See Family Specifications, except for:

D.C. current into any input	$\pm I_i$	max.	10 mA
D.C. source or sink current into any output	$\pm I_o$	max.	25 mA
D.C. current into the supply terminals	$\pm I$	max.	100 mA

DC CHARACTERISTICS

V<sub>SS</sub> = 0 V

	V <sub>DD</sub> V	V <sub>OH</sub> V	V <sub>OL</sub> V	SYMBOL	T <sub>amb</sub> (°C)						
					-40		+25		+85		
					MIN.	TYP.	MIN.	TYP.	MIN.	TYP.	
Output current HIGH	5	4,6		-I <sub>OH</sub>	0,75		0,6	1,2	0,45		mA
	10	9,5			1,85		1,5	3,0	1,1		mA
	15	13,5			14,5		15	50	15,5		mA
Output current HIGH	5	3,6		-I <sub>OH</sub>	9,3		10	24	10,7		mA
	10	8,4			14,4		15	46	15,0		mA
	15	13,2			19,5		20	62	19,8		mA
Output current LOW	5		0,4	I <sub>OL</sub>	2,9		2,3	5,4	1,75		mA
	10		0,5		9,5		7,6	17	5,50		mA
	15		1,5		30,0		25	45	19,0		mA
Hysteresis voltage (any input)	5			V <sub>H</sub>				220			mV
	10							250			mV
	15							320			mV