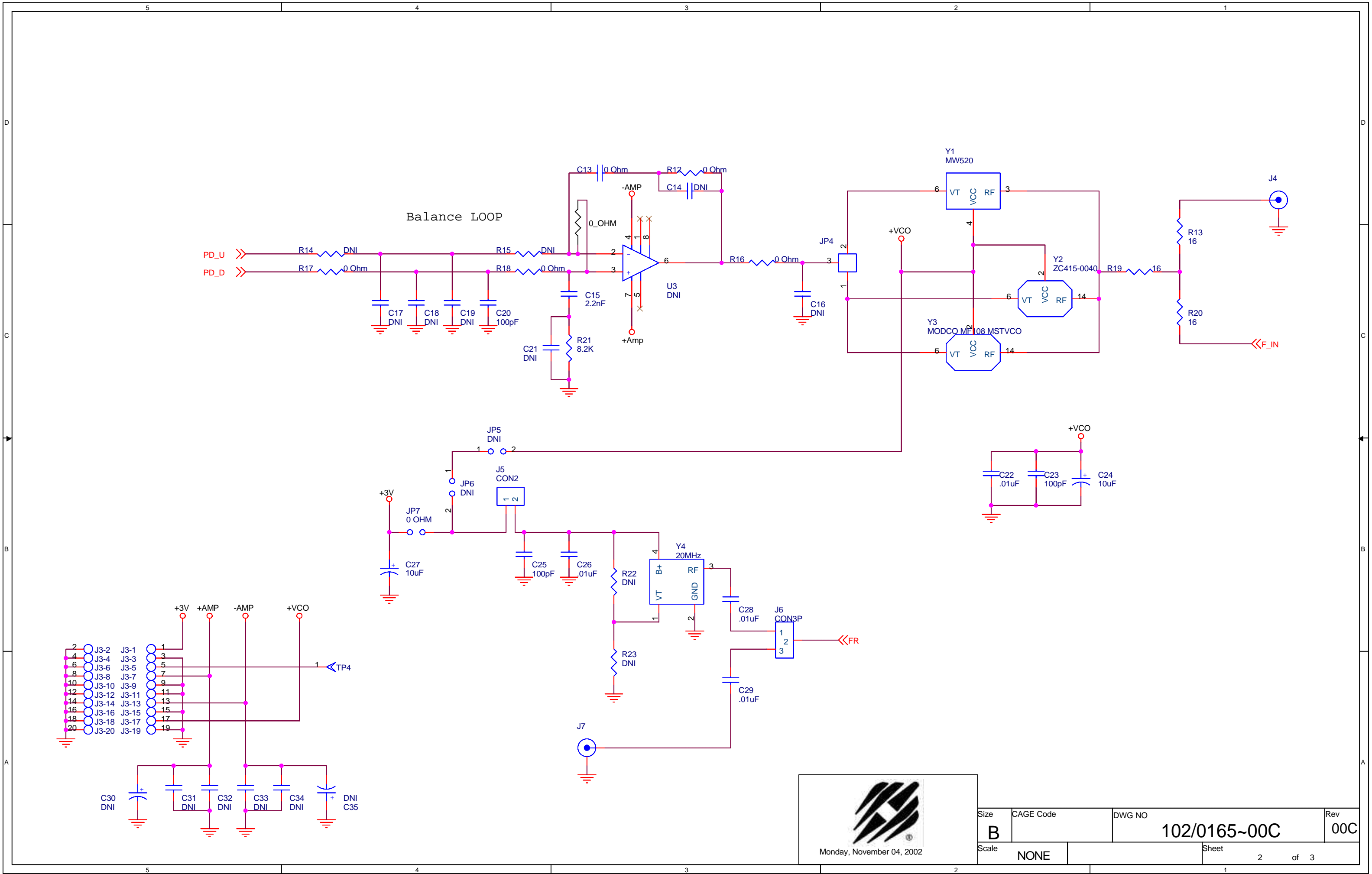
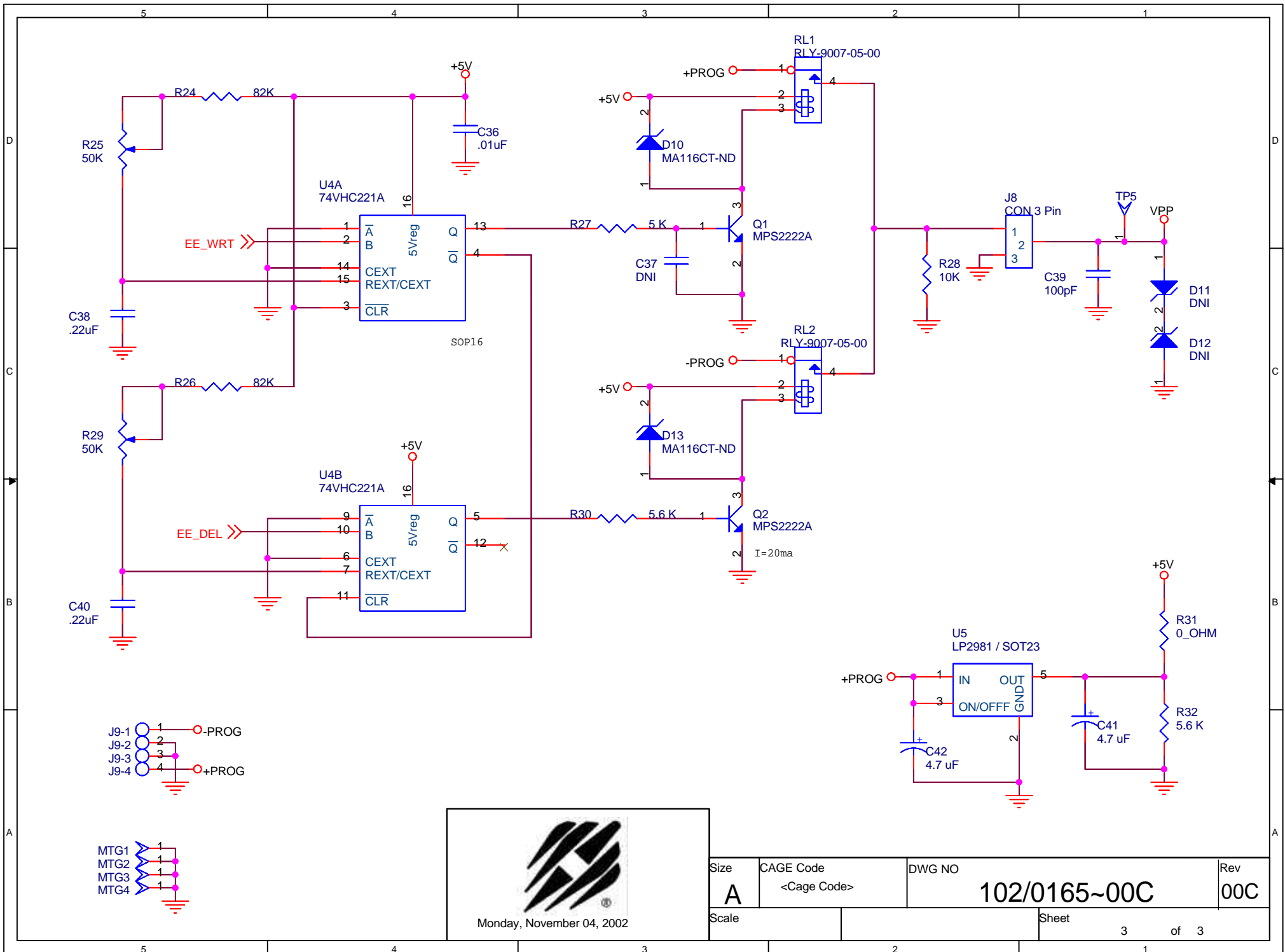
	<b>Peregrine Semiconductor Corporation</b> 6175 Nancy Ridge Dr. San Diego, CA 92121		
	<b>PE3341 &amp; PE83341 EK Schematic</b>		
Size	CAGE Code	DWG NO	Rev
C		102/0165-00C	00C
Monday, November 04, 2002	Scale	Sheet	1 of 3



Size	CAGE Code	DWG NO	Rev
B		102/0165~00C	00C
Scale	NONE		Sheet 2 of 3



Monday, November 04, 2002

Size <b>A</b>	CAGE Code <Cage Code>	DWG NO <b>102/0165~00C</b>	Rev <b>00C</b>
Scale	Sheet 3 of 3		

**Peregrine Semiconductor Corporation**  
**PE3341 & PE83341 EK Schematic Revised: Friday, November 04, 2002**  
**Bill Of Materials**

Item	Quantity	Reference	Value	Part Description	Notes
1	1	A1	PI Att 2.00db	PI Attenuator 2.00 db	
2	1	A2	DNI	PI Attenuator	DO NOT INSTALL
3	2	CA1,CA2	100pF	SMC 3-Terminal Cap Array	
4	1	C1	3.3uF	AVX Chip Cap 0805	
5	6	C5,C22,C26,C28,C29	.01uF	AVX Chip Cap 0805	
6	5	C6,C7,C9,C10,C11	22pF	AVX Chip Cap 0603	Cut Trace under C10
7	4	C8,C23,C25	100pF	AVX Chip Cap 0603	
8	1	C12	DNI	AVX Chip Cap 0603	Cut Trace under C10
9	1	C13	0 Ohm	SMD Cap 1206	Loop Filter
10	4	C14,C21,C34,C31,C43	DNI	AVX Chip Cap 0603	DO NOT INSTALL
11	1	C15	2.2nF	SMD Cap 1206	Loop Filter
12	2	C19,C16	DNI	SMD CAP 1206	Loop Filter
13	2	C17,C18	DNI	AVX Chip Cap 0603	For Trimming
14	1	C20	100pF	SMD Cap 1206	Loop Filter
15	2	C27,C24	10uF	Cap 2513	
16	1	C30	DNI	SMD Cap 2513	
17	1	C32,C33	DNI	AVX Chip Cap 0805	DO NOT INSTALL
18	1	C35	DNI	Cap 2513	DO NOT INSTALL
19	1	C36	.01uF	AVX Chip Cap 0603	
20	1	C37	DNI	AVX Chip Cap 0603	
21	2	C40,C38	.22uF	SMD Capacitor 0805	
22	1	C39	100pF	SMD Capacitor 0603	
23	2	C42,C41	4.7 uF	Tant Cap 2513	
24	9	D1,D2,D3,D4,D5,D6,D7,D8, D9	2.7V	Panasonic Zener Diode	Follow the silkscreen
25	1	D10	MA116CT-ND	Switch Diode 40V	Follow the Pad
26	2	D12,D11	DNI	Panasonic Zener Diode	DO NOT INSTALL
27	1	D13	MA116CT-ND	Panasonic Zener Diode	Follow the Pad
28	1	JP4	0 OHM	0603 Jumper	Put 0 OHM Resistor on pins 1 and 3
29	1	JP5	DNI		
30	1	JP6	DNI	0603 Jumper	
31	1	JP7	0 OHM	0603 Jumper	
32	1	J1	SUB_D_IDCMATE26		
33	1	J2	CON2	2 Pin Header	
34	1	J3	HDR2X10	20 Pin Header, .100	

35	2	J7,J4	SMA Connector (Side Mnt Short)	SMA Connector (Side Mount)	
36	1	J5	CON2	2 Pin Header	TCXO VCC Supply
37	1	J6	CON3P	3 Pin Header	REF Select
38	1	J8	CON 3 Pin	3 Pin Header	
39	1	J9	HDR2X7	4 Pin Header, .100	
40	9	TP1,MTG1,TP2,MTG2,TP3, MTG3,TP4,MTG4,TP5	T POINT A	Test Point	
41	2	Q1,Q2	MPS2222A		
42	2	RL1,RL2	RLY-9007-05-00	Relay from Newark electronics	
43	2	R2,R1	220	16 Pin SMD R-Pack	
44	1	R3	10K	10 Pin SIP Resistor	
45	1	R4	DNI	SMD Resistor 0603	
46	1	R5	51	SMD Resistor 0603	
47	3	R12,R16,R17	0 Ohm	SMD Resistor 0805	
48	3	R13,R19,R20	16	SMD Resistor 0805	
49	1	R14	DNI	SMD Resistor 0805	
50	1	R15	DNI	AVX Chip Resistor 0603	
51	1	R18	0 Ohm	AVX Chip Resistor 0603	
52	1	R21	8.2K	SMD Resistor 0805	
53	2	R23,R22	DNI	SMD Resistor 0603	DO NOT INSTALL
54	2	R26,R24	82K	SMD Resistor 0603	
55	2	R29,R25	50K	Potentiometer	
56	1	R27	5 K	SMD Resistor 0603	
57	1	R28	10K	SMD Resistor 0603	
58	1	R30	5.6 K	SMD Resistor 0603	
59	1	R31	0_OHM	SMD Resistor 0603	
60	1	R32	5.6 K	SMD Resistor 1210	
61	1	SW1	DIG-8		
62	1	U1	TSSOP-24		Install U1 or U2
63	1	U2	MLP-20		Install U1 or U2
64	1	U3	DNI	Ultra Low Noise OP AMP	
65	1	U4	74VHC221A		
66	1	U5	LP2981 / SOT23	5 V regulator	
67	1	Y1	MW520	Micronetics MW520 VCO	DO NOT INSTALL
68	1	Y2	ZC415-0040	Z-COMM 415-0040 VCO	DO NOT INSTALL
69	1	Y3	MODCO MF108 MSTVCO	MODCO MF108 MST VCO	
70	1	Y4	20MHz	Vectron TCXO OSC-3B0-20MHz	
71	1	101/0127~00A		PE3341/2 TSSOP/MLP20 EK Board	