

Figure # 1

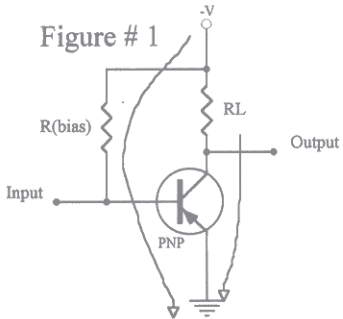


Figure # 3

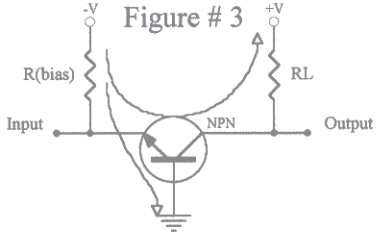


Figure # 5

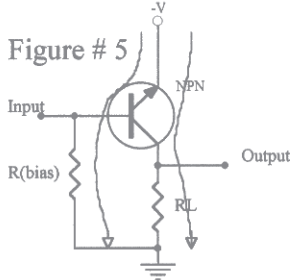


Figure # 7

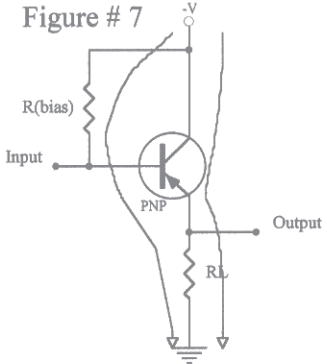


Figure # 2

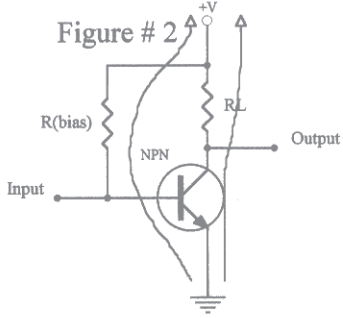


Figure # 4

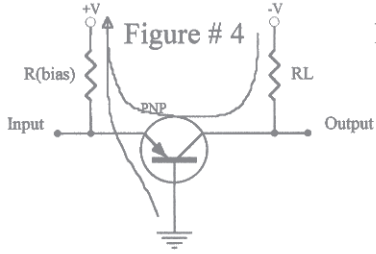


Figure # 6

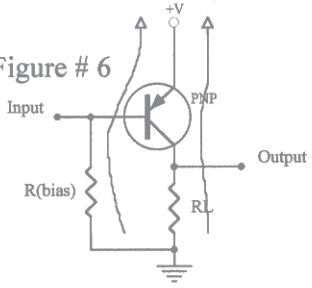
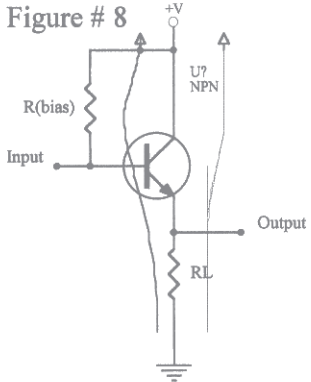


Figure # 8



Title			Transistor Configurations		
Size	Number	Revision		0	
A	Solutions For Education				
Date:	14-Jul-2001		Sheet of		
File:	C:\DDF\TRANCONF.SCH		Drawn By:	SFE-DCS, ddf	