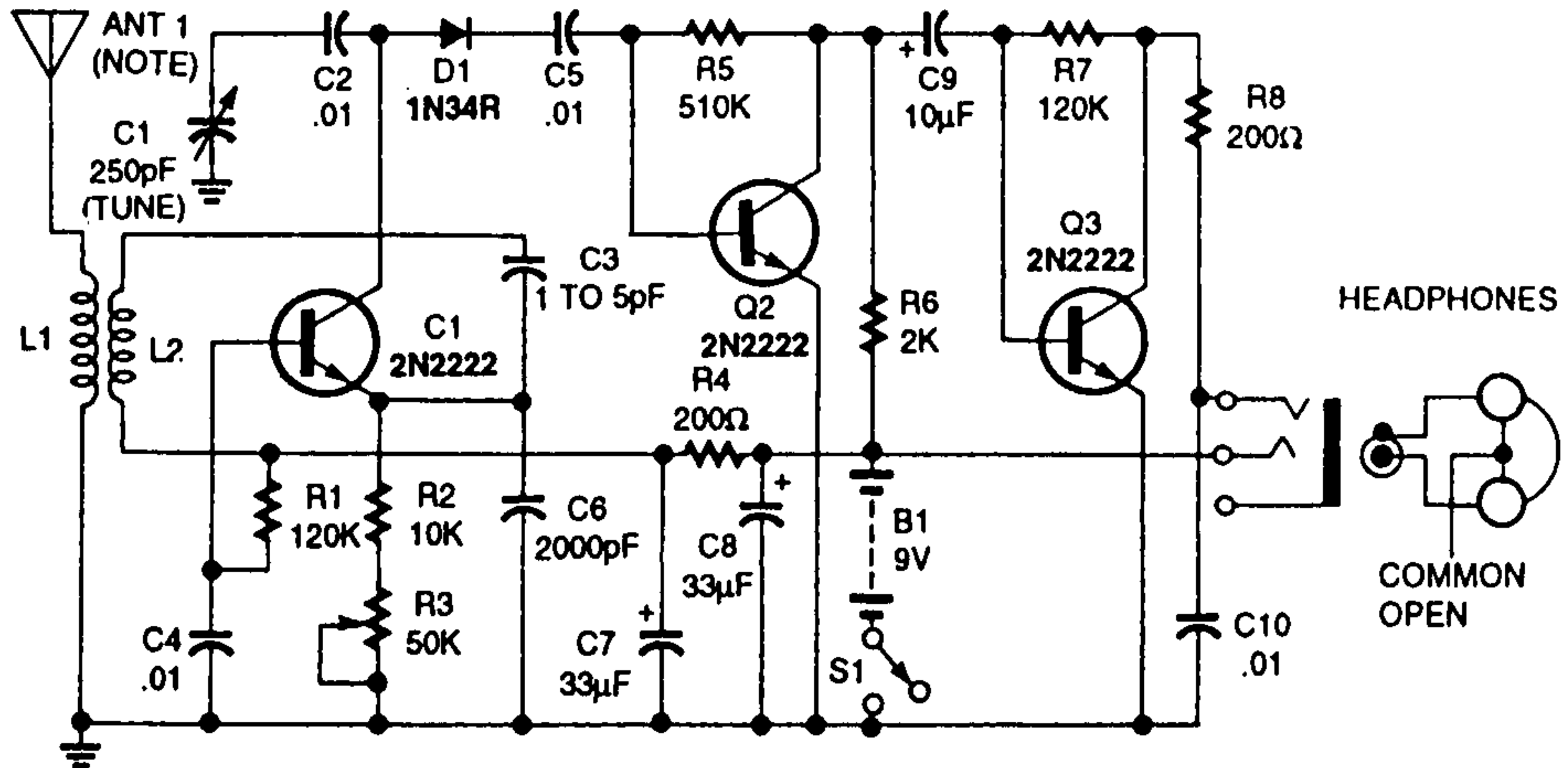
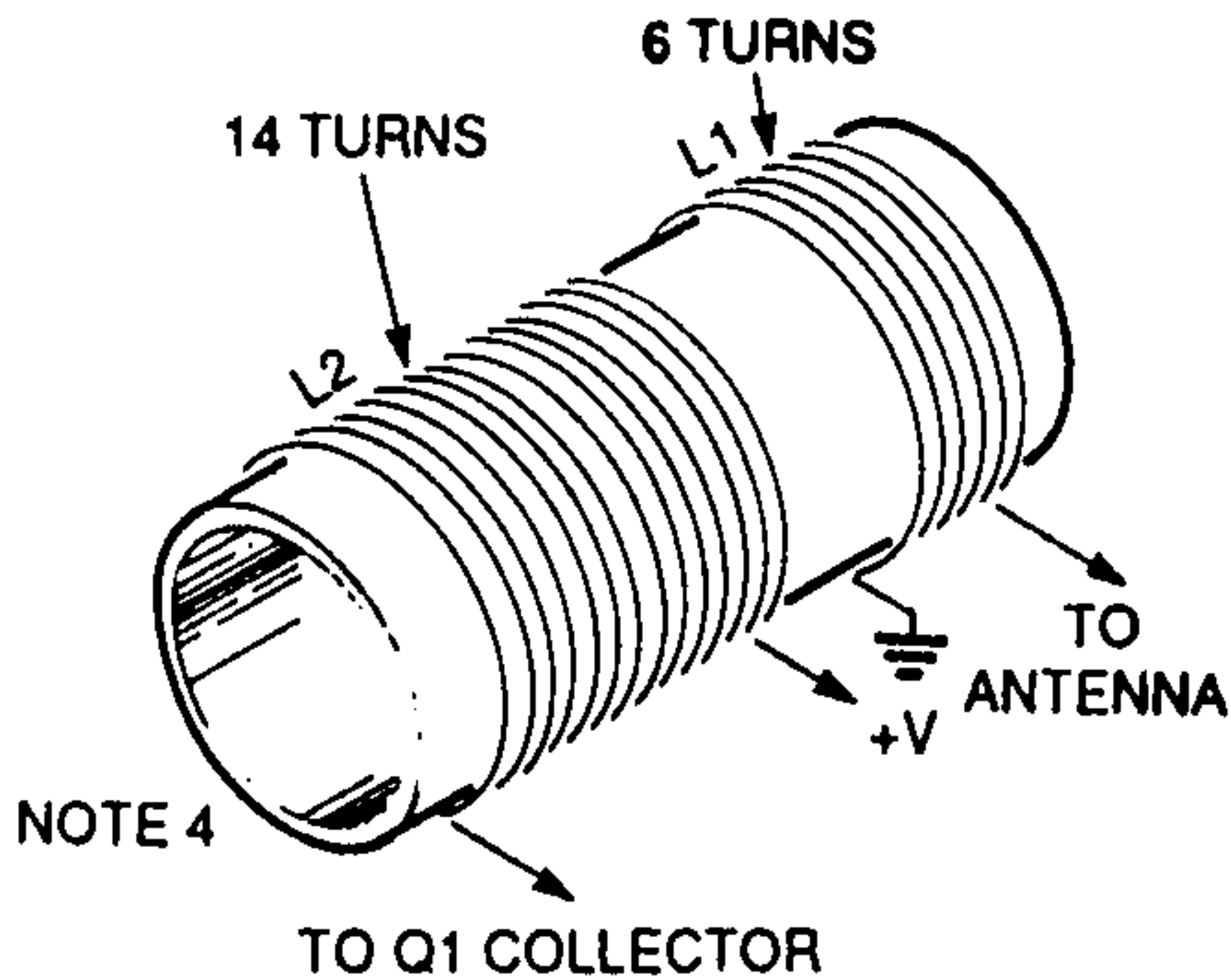


ECONOMY SHORTWAVE RECEIVER



1. ANT 1 IS 100-FT COPPER WIRE.
NOTES: 2 FOR COIL WINDING



NOTES:

1. ALL WINDINGS ARE NO.22 INSULATED STRANDED COPPER HOOKUP WIRE
2. 1-IN. OD PLASTIC PILL BOTTLE
3. 1-IN. OD PVC PIPE OR NOTE 3

Using three transistors, this receiver covers the range of 6 to 17 MHz. Coils can be altered to change the range to a lower or higher frequency.