

SGL60N90DG3

General Description

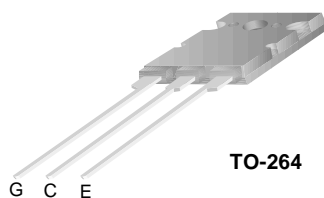
Insulated Gate Bipolar Transistors (IGBTs) with a trench gate structure provide superior conduction and switching performance in comparison with transistors having a planar gate structure. They also have wide noise immunity. These devices are very suitable for induction heating applications.

Features

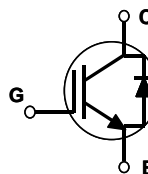
- High speed switching
- Low saturation voltage : $V_{CE(sat)} = 2.0\text{ V @ } I_C = 60\text{ A}$
- High input impedance
- Built-in fast recovery diode

Applications

Home appliances, induction heaters, induction heating JARs, and microwave ovens.



TO-264



Absolute Maximum Ratings T_C = 25°C unless otherwise noted

| Symbol | Description | SGL60N90DG3 | Units |
|--------------------|---|-------------|-------|
| V _{CES} | Collector-Emitter Voltage | 900 | V |
| V _{GES} | Gate-Emitter Voltage | ± 25 | V |
| I _C | Collector Current @ T _C = 25°C | 60 | A |
| | Collector Current @ T _C = 100°C | 42 | A |
| I _{CM(1)} | Pulsed Collector Current | 120 | A |
| I _F | Diode Continuous Forward Current @ T _C = 100°C | 15 | A |
| P _D | Maximum Power Dissipation @ T _C = 25°C | 180 | W |
| | Maximum Power Dissipation @ T _C = 100°C | 72 | W |
| T _J | Operating Junction Temperature | -55 to +150 | °C |
| T _{stg} | Storage Temperature Range | -55 to +150 | °C |
| T _L | Maximum Lead Temp. for soldering purposes, 1/8" from case for 5 seconds | 300 | °C |

Notes :

(1) Repetitive rating : Pulse width limited by max. junction temperature

Thermal Characteristics

| Symbol | Parameter | Typ. | Max. | Units |
|--------------------------|---|------|------|-------|
| R _{θJC} (IGBT) | Thermal Resistance, Junction-to-Case | -- | 0.69 | °C/W |
| R _{θJC} (DIODE) | Thermal Resistance, Junction-to-Case | -- | 2.08 | °C/W |
| R _{θJA} | Thermal Resistance, Junction-to-Ambient | -- | 25 | °C/W |

Electrical Characteristics of the IGBT $T_C = 25^\circ\text{C}$ unless otherwise noted

| Symbol | Parameter | Test Conditions | Min. | Typ. | Max. | Units |
|--------------------------------|---|--|------|------|-----------|-------|
| Off Characteristics | | | | | | |
| BV_{CES} | Collector-Emitter Breakdown Voltage | $V_{GE} = 0V, I_C = 250\mu A$ | 900 | -- | -- | V |
| I_{CES} | Collector Cut-Off Current | $V_{CE} = V_{CES}, V_{GE} = 0V$ | -- | -- | 1.0 | mA |
| I_{GES} | G-E Leakage Current | $V_{GE} = V_{GES}, V_{CE} = 0V$ | -- | -- | ± 500 | nA |
| On Characteristics | | | | | | |
| $V_{GE(th)}$ | G-E Threshold Voltage | $I_C = 60mA, V_{CE} = V_{GE}$ | 4.0 | 5.0 | 7.0 | V |
| $V_{CE(sat)}$ | Collector to Emitter Saturation Voltage | $I_C = 10A, V_{GE} = 15V$ | -- | 1.4 | 1.8 | V |
| | | $I_C = 60A, V_{GE} = 15V$ | -- | 2.0 | 2.7 | V |
| Dynamic Characteristics | | | | | | |
| C_{ies} | Input Capacitance | $V_{CE}=10V, V_{GE} = 0V,$ $f = 1MHz$ | -- | 6500 | -- | pF |
| C_{oes} | Output Capacitance | | -- | 250 | -- | pF |
| C_{res} | Reverse Transfer Capacitance | | -- | 220 | -- | pF |

Switching Characteristics

| | | | | | | |
|--------------|-----------------------|--|----|-----|-----|----|
| $t_{d(on)}$ | Turn-On Delay Time | $V_{CC} = 600V, I_C = 60A,$ $R_G = 51\Omega, V_{GE}=15V,$ Resistive Load, $T_C = 25^\circ\text{C}$ | -- | 250 | 400 | ns |
| t_r | Rise Time | | -- | 450 | 700 | ns |
| $t_{d(off)}$ | Turn-Off Delay Time | | -- | 450 | 700 | ns |
| t_f | Fall Time | | -- | 250 | 400 | ns |
| Q_g | Total Gate Charge | $V_{CE} = 600V, I_C = 60A,$ $V_{GE} = 15V$ | -- | 260 | 300 | nC |
| Q_{ge} | Gate-Emitter Charge | | -- | 70 | -- | nC |
| Q_{gc} | Gate-Collector Charge | | -- | 60 | -- | nC |

Electrical Characteristics of DIODE $T_C = 25^\circ\text{C}$ unless otherwise noted

| Symbol | Parameter | Test Conditions | Min. | Typ. | Max. | Units |
|----------|-------------------------------|-----------------------------|------|------|------|-------|
| V_{FM} | Diode Forward Voltage | $I_F = 15A$ | -- | 1.2 | 1.7 | V |
| | | $I_F = 60A$ | -- | 1.75 | 2.0 | V |
| t_{rr} | Diode Reverse Recovery Time | $I_F = 60A$ di/dt = 20 A/us | -- | 1.2 | 1.5 | us |
| I_R | Instantaneous Reverse Current | $V_{RRM} = 900V$ | -- | 0.05 | 2 | uA |

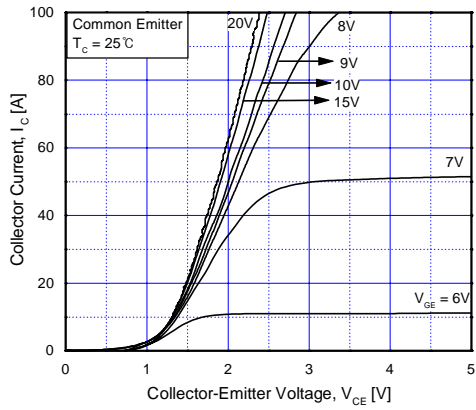


Fig 1. Typical Output Characteristics

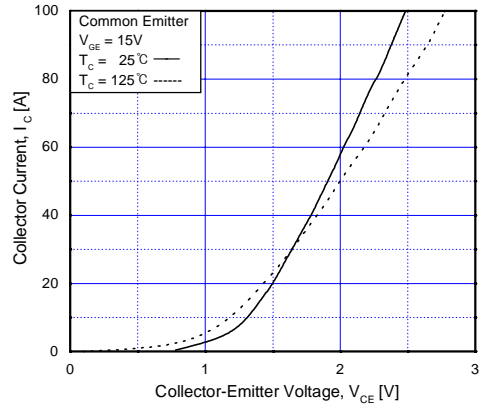


Fig 2. Typical Saturation Voltage Characteristics

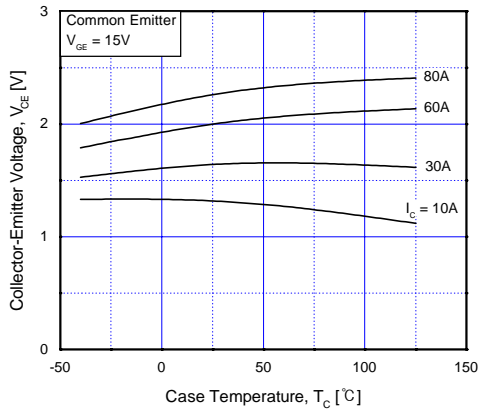


Fig 3. Saturation Voltage vs. Case Temperature at Variant Current Level

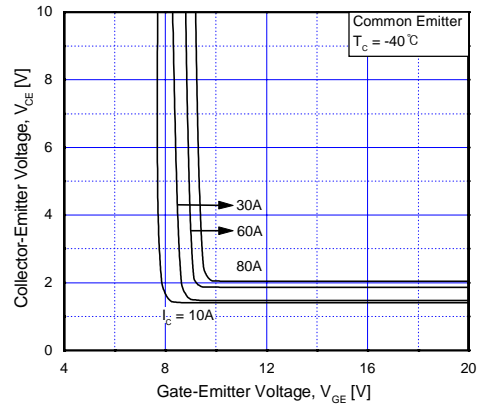


Fig 4. Saturation Voltage vs. V_{GE}

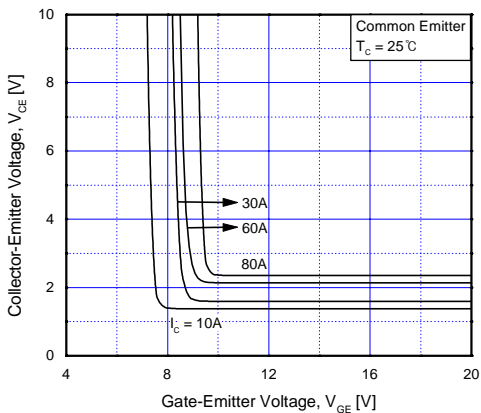


Fig 5. Saturation Voltage vs. V_{GE}

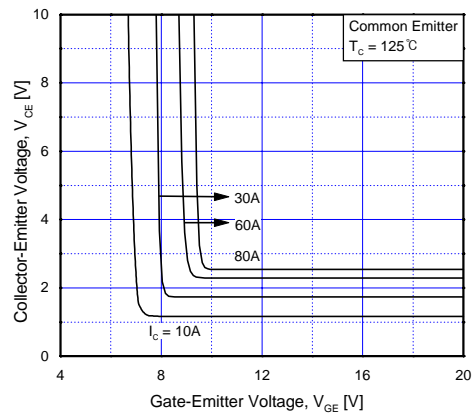


Fig 6. Saturation Voltage vs. V_{GE}

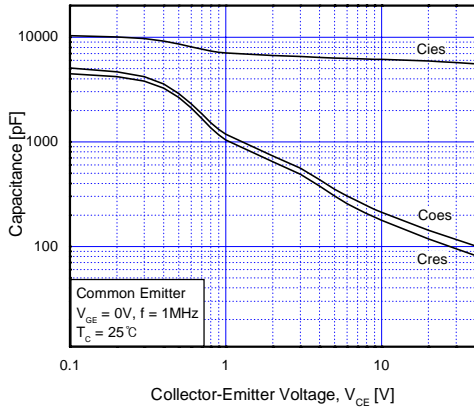


Fig 7. Capacitance Characteristics

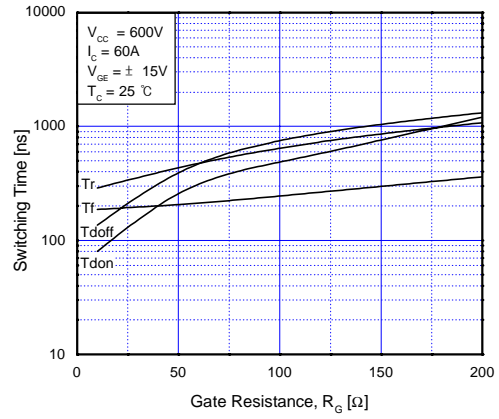


Fig 8. Switching Characteristics vs. Gate Resistance

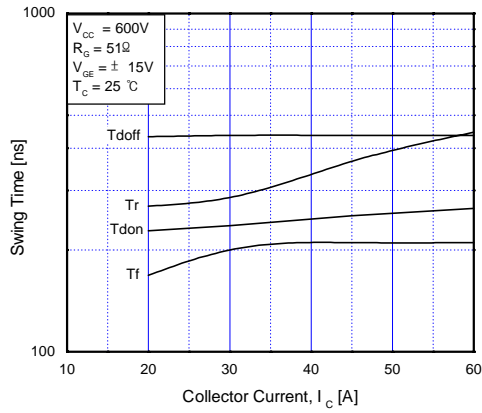


Fig 9. Switching Characteristics vs. Collector Current

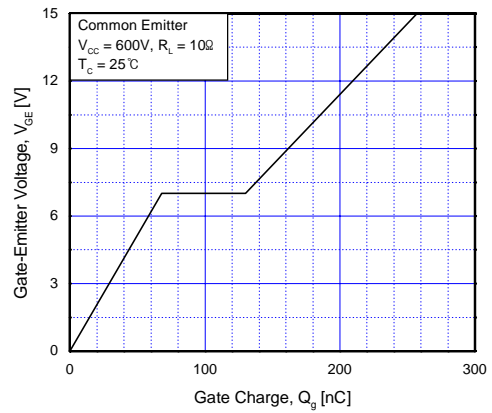


Fig 10. Gate Charge Characteristics

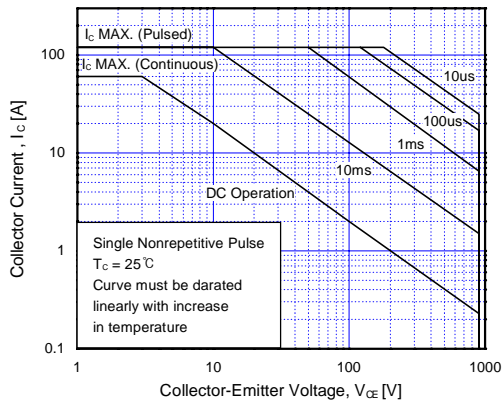


Fig 11. SOA Characteristics

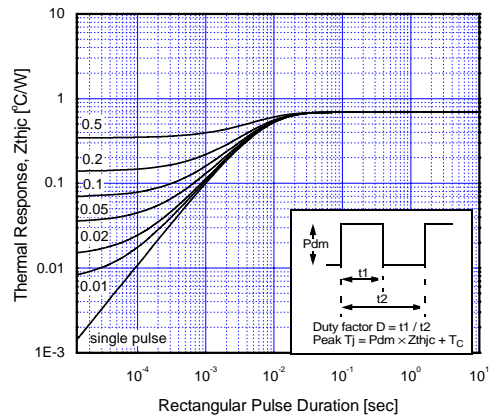


Fig 12. Transient Thermal Impedance of IGBT

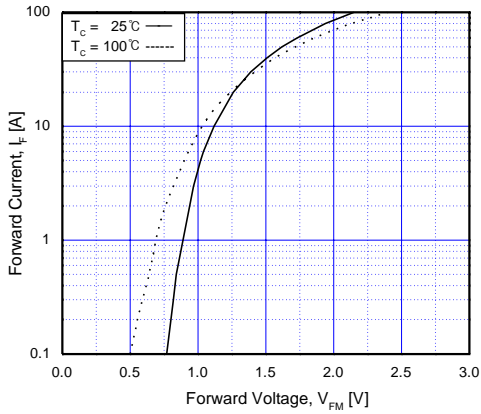


Fig 13. Forward Characteristics

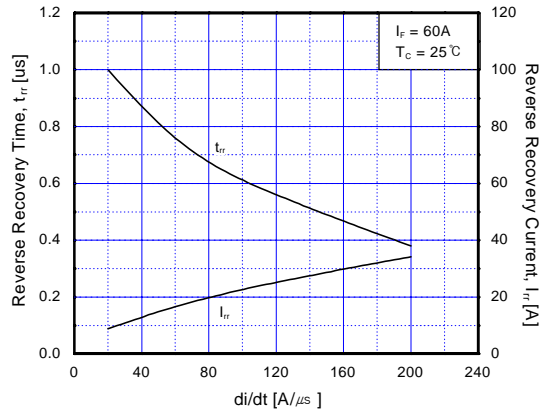


Fig 14. Reverse Recovery Characteristics vs. di/dt

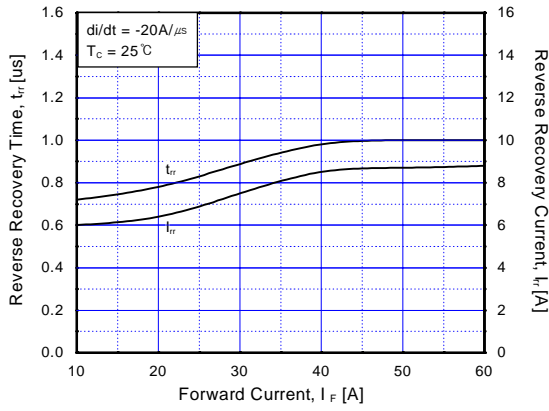


Fig 15. Reverse Recovery Characteristics vs. Forward Current

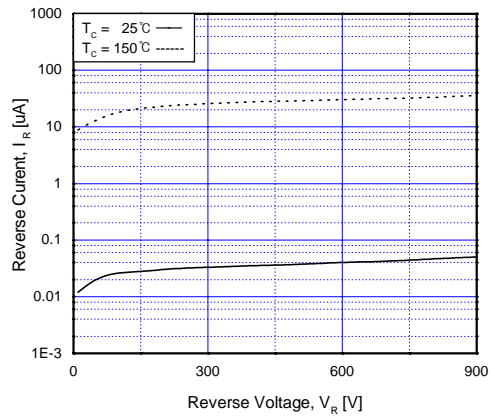


Fig 16. Reverse Current vs. Reverse Voltage

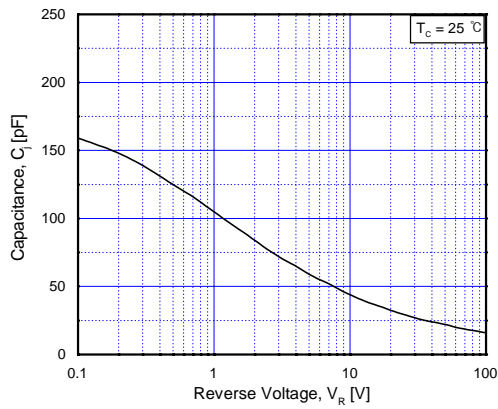
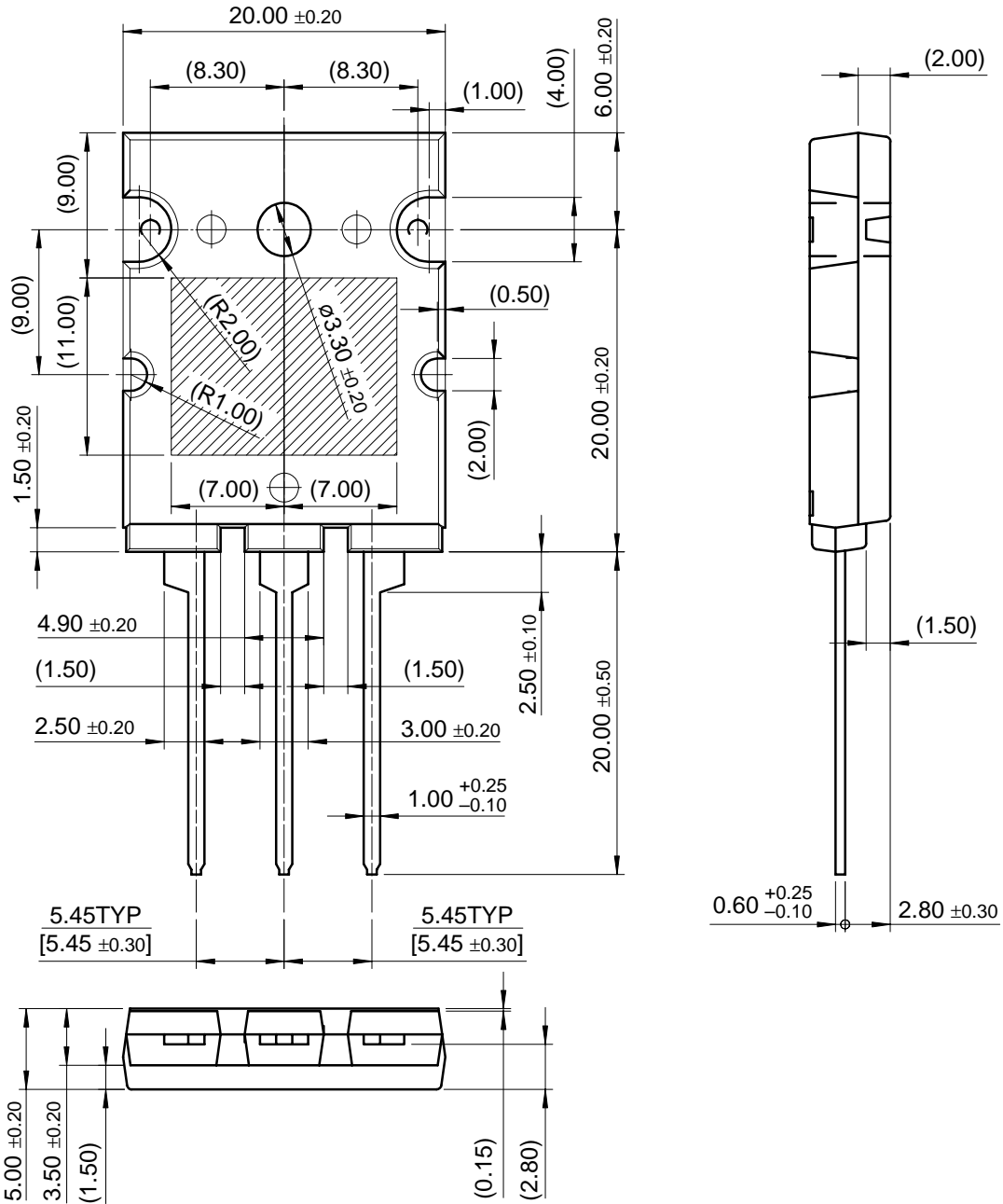


Fig 17. Junction capacitance

Package Dimension

TO-264

SGL60N90DG3



Dimensions in Millimeters

TRADEMARKS

The following are registered and unregistered trademarks Fairchild Semiconductor owns or is authorized to use and is not intended to be an exhaustive list of all such trademarks.

| | | | | |
|----------------------|---------------------|---------------------|------------------|-----------|
| ACEx™ | FAST® | MICROWIRE™ | SLIENT SWITCHER® | UHC™ |
| Bottomless™ | FASTr™ | OPTOLOGIC™ | SMART START™ | UltraFET® |
| CoolFET™ | FRFET™ | OPTOPLANAR™ | SPM™ | VCX™ |
| CROSSVOLT™ | GlobalOptoisolator™ | PACMAN™ | STAR*POWER™ | |
| DenseTrench™ | GTO™ | POPT™ | Stealth™ | |
| DOMETM | HiSeC™ | Power247™ | SuperSOT™-3 | |
| EcoSPARK™ | I ² C™ | PowerTrench® | SuperSOT™-6 | |
| E ² CMOS™ | ISOPLANAR™ | QFET™ | SuperSOT™-8 | |
| EnSigna™ | LittleFET™ | QST™ | SyncFET™ | |
| FACT™ | MicroFET™ | QT Optoelectronics™ | TinyLogic™ | |
| FACT Quiet Series™ | MicroPak™ | Quiet Series™ | TruTranslation™ | |

STAR*POWER is used under license

DISCLAIMER

FAIRCHILD SEMICONDUCTOR RESERVES THE RIGHT TO MAKE CHANGES WITHOUT FURTHER NOTICE TO ANY PRODUCTS HEREIN TO IMPROVE RELIABILITY, FUNCTION OR DESIGN. FAIRCHILD DOES NOT ASSUME ANY LIABILITY ARISING OUT OF THE APPLICATION OR USE OF ANY PRODUCT OR CIRCUIT DESCRIBED HEREIN; NEITHER DOES IT CONVEY ANY LICENSE UNDER ITS PATENT RIGHTS, NOR THE RIGHTS OF OTHERS.

LIFE SUPPORT POLICY

FAIRCHILD'S PRODUCTS ARE NOT AUTHORIZED FOR USE AS CRITICAL COMPONENTS IN LIFE SUPPORT DEVICES OR SYSTEMS WITHOUT THE EXPRESS WRITTEN APPROVAL OF FAIRCHILD SEMICONDUCTOR CORPORATION.

As used herein:

1. Life support devices or systems are devices or systems which, (a) are intended for surgical implant into the body, or (b) support or sustain life, or (c) whose failure to perform when properly used in accordance with instructions for use provided in the labeling, can be reasonably expected to result in significant injury to the user.
2. A critical component is any component of a life support device or system whose failure to perform can be reasonably expected to cause the failure of the life support device or system, or to affect its safety or effectiveness.

PRODUCT STATUS DEFINITIONS

Definition of Terms

| Datasheet Identification | Product Status | Definition |
|--------------------------|------------------------|---|
| Advance Information | Formative or In Design | This datasheet contains the design specifications for product development. Specifications may change in any manner without notice. |
| Preliminary | First Production | This datasheet contains preliminary data, and supplementary data will be published at a later date. Fairchild Semiconductor reserves the right to make changes at any time without notice in order to improve design. |
| No Identification Needed | Full Production | This datasheet contains final specifications. Fairchild Semiconductor reserves the right to make changes at any time without notice in order to improve design. |
| Obsolete | Not In Production | This datasheet contains specifications on a product that has been discontinued by Fairchild semiconductor. The datasheet is printed for reference information only. |