

STEREO MODULATOR

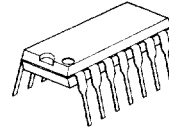
■ GENERAL DESCRIPTION

The NJM2035 is an integrated circuit used to generate a stereo composite signal and obtain switching output and 19kHz pilot signal due to two input audio signal and 38kHz X-tal and a few external CR.

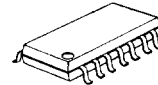
The NJM2035 operates at 1.5V battery typically and even at 1.2V obtains separation more than 25dB.

NJM2035 can generate stereo multiplex signal easily by combination battery generator section.

■ PACKAGE OUTLINE



NJM2035D

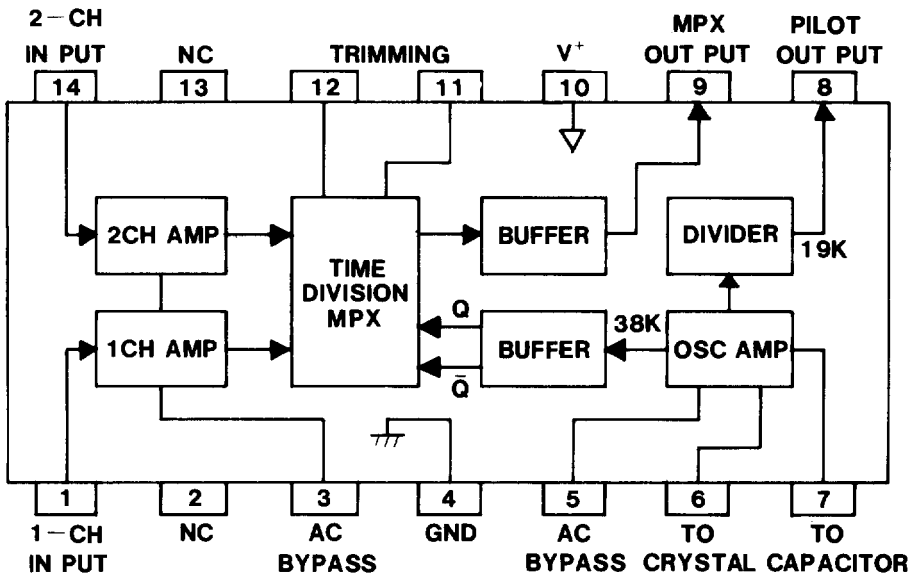


NJM2035M

■ FEATURES

- Low Operating Voltage ($V^+ \geq 1.0V$)
- Low Operating Current ($I_{cc} \leq 3.0mA$)
- High Separation ($SEP \geq 25dB$)
- Voltage Gain (20 ~ 200)
- Separation Adjustable
- Package Outline DIP14, DMP14
- Bipolar Technology

■ BLOCK DIAGRAM



NJM2035D
NJM2035M



■ ABSOLUTE MAXIMUM RATINGS

(Ta=25°C)

PARAMETER	SYMBOL	RATINGS	UNIT
Supply Voltage	V*	3.6	V
Power Dissipation	P _D	(DIP14) 500	mW
		(DMP14) 300	mW
Operating Temperature Range	T _{opr}	-20~+75	°C
Storage Temperature Range	T _{stg}	-40~+125	°C

■ ELECTRICAL CHARACTERISTICS

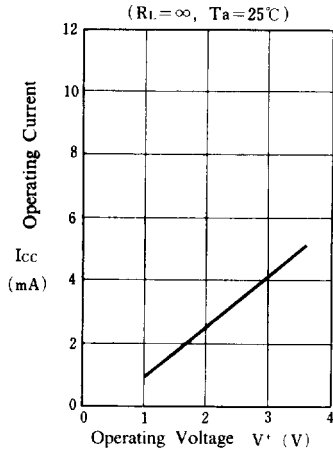
(Ta=25°C, V*=1.5V)

PARAMETER	SYMBOL	TEST CONDITION	MIN.	TYP.	MAX.	UNIT
Operating Current	I _{CC}	R _L = ∞	—	1.8	3.0	mA
Input Impedance	Z _{IN}	f=1kHz	—	420	—	Ω
Maximum Input Current	I _{IM}		—	4.1	—	μA
Voltage Gain	G _V	R _S = 2kΩ, R _L = 10kΩ	16	20	—	dB
Difference Gain Between Channels	G _{VD}	R _S = 2kΩ, R _L = 10kΩ	—	—	2.0	dB
Equivalent Input Noise Voltage	V _{NI}	R _S = 2kΩ, R _L = 10kΩ, A _{WEIGHTED}	—	—	2.0	μVrms
Maximum Output Voltage Swing	V _{OM}	R _S = 2kΩ, R _L = 10kΩ	140	200	—	mVp-p
Output Impedance	Z _O	f=1kHz	—	230	—	Ω
Pilot Output Voltage	V _{OP}	R _L = 150kΩ	—/	240	—	mV
Pilot Output Impedance	R _{OP}		—	3	—	kΩ
Separation	SEP	f=1kHz at Application Circuit	—	40	—	dB
Internal Separation Compensation	S.C		—	-19	—	dB

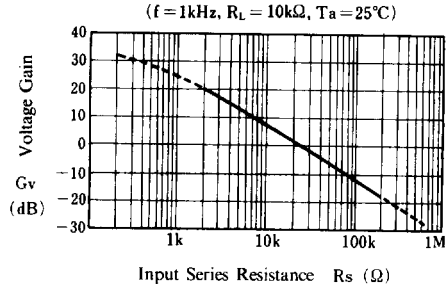


■ TYPICAL CHARACTERISTICS (*: BY APPLICATION CIRCUIT)

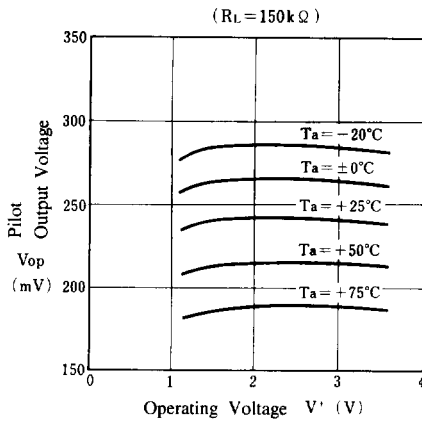
Operating Current vs. Operating Voltage



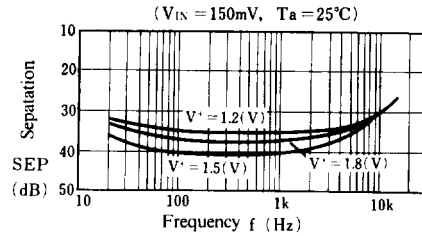
Voltage Gain vs. Input Series Resistance



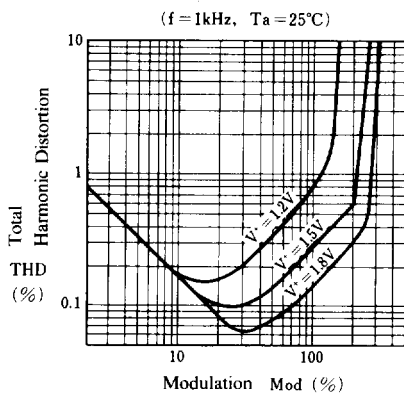
Pilot Output Voltage vs. Operating Voltage



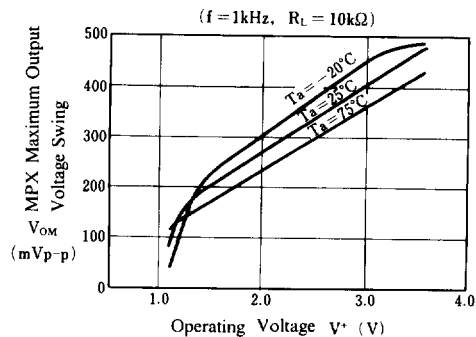
※ Separation vs. Frequency



※ Total Harmonic Distortion vs. Modulation



MPX Maximum Output Voltage Swing vs. Operating Voltage



4



■ APPLICATION CIRCUIT EXAMPLES

The following block diagram shows an FM stereo transmitter using NJM2035. Input a current mode signal, because two inputs of NJM2035 are of a low impedance type. Also, the pre-emphasis can be applied at a time constant of C_L and R_1 by utilizing this characteristic.

Input series resistance R_s of low band can be obtained from the maximum input voltage $V_{IM(P-P)}$ and the maximum input current I_{IM} of NJM2035.

$$R_s = V_{IM} / 2I_{IM} \quad (R_s = R_1 + R_2)$$

However, the circuit for stabilized operation, R_2 must stay between $2-12k\Omega$, and also, in order to get enough pre-emphasis characteristics, R_1 is required to maintain within the range of $5 \times R_2 \sim 10 \times R_2$. Transmitting on FM stereo, it is advisable to set the pre-emphasis time C_1 , R_1 at $50\mu s$. When it is large maximum input voltage and could not satisfy R_1, R_2 condition, it is important to attenuate the input voltage beforehand, like that of Fig.2 the circuit example. In this case however, special care must be taken for not making the pre-emphasis time control influenced from the attenuator.

In order to get the important composit signals for stereo transmitting, the MPX signal and the pilot signal which were delivered output at each different pins, to be mixed (MIX) and the ratio is decided by the modulation of NJM2035 the maximum output voltage V_{OM} that means that, it can be decided by how much percent to be set the ratio of the maximum modulation. The maximum modulation takes the essential part to decide the dynamic range and to be set with consideration of modulation sensitivity of FM transmitter, S/N and also with the linearity of receiver. In general, 200% modulation ($\Delta f = \pm 1.50MHz$) will give the satisfying result.

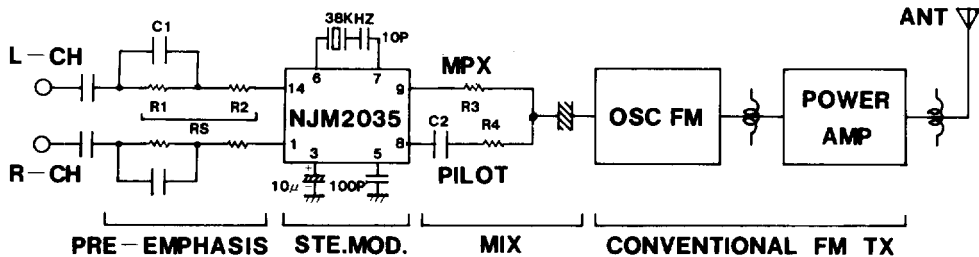
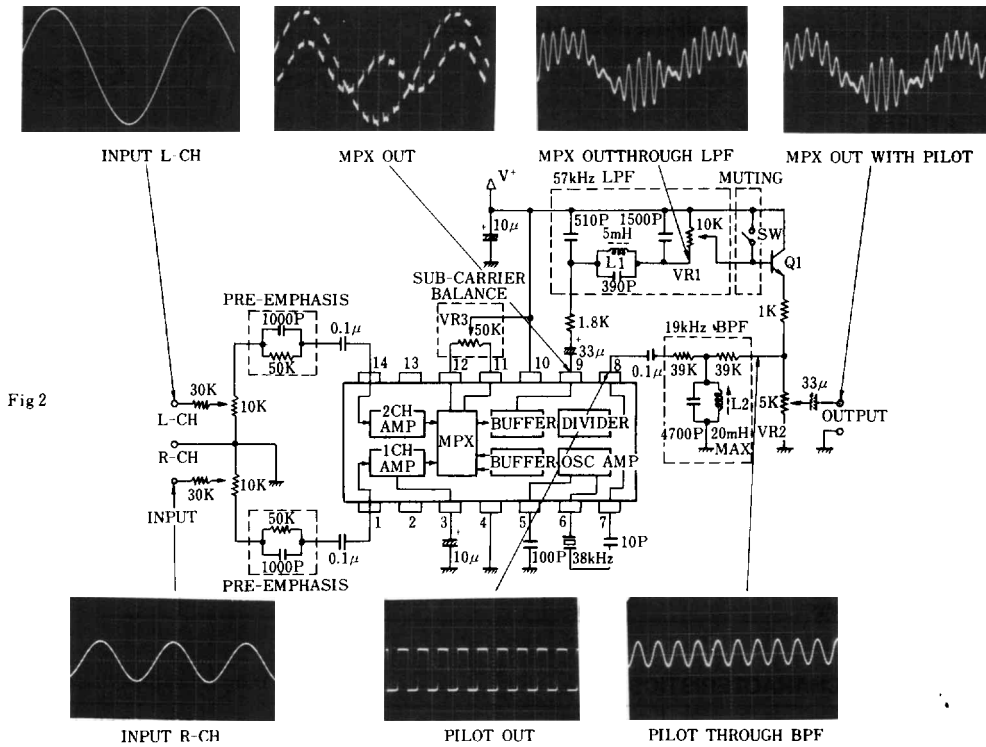


Fig1

■ RECOMMENDED APPLICATION CIRCUIT & EACH WAVEFORM



Recommended Application Circuit & Each Waveform on the other hand, the pilot level is to be modulated 10% with no connection of Max. modulation ratio, so that the following relation can be set.

$$\frac{R_0 + R_3}{R_{OP} + R_4} \times \frac{2\sqrt{2} V_{OP}}{V_{OM}} = \frac{10}{200}$$

However, for the stability in operation, it is advisable to control MPX signal loading more than 1.8kΩ, and the pilot signal loading more than 39kΩ.

As in example of Fig.1 Simplified Application Circuit, when making the rectangular wave like output to be the composite signal itself, the separating effect shall be reduced due to influence by harmonic components included in MPX signal, so that it requires to make the adjustment to be able to get ample separation of pilot signal phase by the operation of C₂, R₄, time signal. In this procedure, there is defective side of getting slightly difference of the best position of separating effect depending upon the tuner of receiver's side, however, when R₃ = 2kΩ, R₄ = 150kΩ, C₂ = 330pF then the ample separation can be obtained practically.

Special care must be taken that the pilot signal's the third harmonic wave 57kHz will be the cause of dangerous beating.

Fig 2 indicates the example of recommende application circuit of stereo modulator when NJM2035 in used. As explained in the wave form, high quality composite signal can be obtained by only putting a simpl filter beforehand. Then the previously mentioned problems can be improved a great deal.

The input in modulated 30% at AUX level (150mV) ——— changeable of + 3dB —∞ by volume control.

V_{R1} corresponds to the fluctuation of GV feature of NJM2035, and also for fluctuation of modulation sensitivity of FM modulation circuit which in connected after V_{R2}.

V_{R3} is to make minimum adjustment of 38kHz sub-carrier leakage, and with this adjustment, it can control until about -50dB in comparing to 100% modulation level.

■ The adjustment procedure in the recommended application circuit.

- ① Sub-carrier leakage can be minimized by the adjustment of V_{R3}.
- ② The maximum output voltage of pilot can be obtained by the adjustment of L₂
- ③ V_{R2} adjustment of the pilot will help to bring the modulation ratio a little over 10% (Δf = ±7.5kHz)
- ④ The modulation ratio can be increased as much as 30% at V_{R1} by putting designed standard input.
- ⑤ By putting only the input for L-channel, and making re-adjustment of L₂, so that the maximum power of output at L-cannel can be obtained at the receiver's side. (19kHz phase adjustment)

Against 100% modulation at the recommended circuit S/N at A curve +15kHz LPF 77dB, ane at 15kHz LPF 67dB approximately can be obtained.