

# NC7SB3157, FSA3157

## Low-Voltage SPDT Analog Switch or 2:1 Multiplexer / De-multiplexer Bus Switch

### Features

- Useful in both analog and digital applications
- Space-saving, SC70 6-lead surface mount package
- Ultra-small, MicroPak™ Pb-free leadless package
- Low On Resistance: <math><10\Omega</math> on typical at 3.3V  $V_{CC}$
- Broad  $V_{CC}$  operating range: 1.65V to 5.5V
- Rail-to-rail signal handling
- Power-down, high-impedance control input
- Over-voltage tolerance of control input to 7.0V
- Break-before-make enable circuitry
- 250 MHz, 3dB bandwidth

### General Description

The NC7SB3157 / FSA3157 is a high-performance, single-pole / double-throw (SPDT) analog switch or 2:1 multiplexer / de-multiplexer bus switch.

The device is fabricated with advanced sub-micron CMOS technology to achieve high-speed enable and disable times and low on resistance. The break-before-make select circuitry prevents disruption of signals on the B Port due to both switches temporarily being enabled during select pin switching. The device is specified to operate over the 1.65 to 5.5V  $V_{CC}$  operating range. The control input tolerates voltages up to 5.5V, independent of the  $V_{CC}$  operating range.

### Ordering Information

| Part Number  | Top Mark | Pb-Free | Package Description                          | Packing Method              |
|--------------|----------|---------|--|-----------------------------|
| NC7SB3157P6X | B7A      | Yes     | 6-Lead, SC70, EIAJ SC88, 1.25mm Wide Package | 3000 Units on Tape and Reel |
| NC7SB3157L6X | BB       | Yes     | 6-Lead, MicroPak 1.0mm Wide Package          | 5000 Units on Tape and Reel |
| FSA3157P6X   | B7A      | Yes     | 6-Lead, SC70, EIAJ SC88, 1.25mm Wide Package | 3000 Units on Tape and Reel |
| FSA3157L6X   | BB       | Yes     | 6-Lead, MicroPak 1.0mm Wide Package          | 5000 Units on Tape and Reel |

Pb-Free package per JEDEC J-STD-020B.

MicroPak™ is a trademark of Fairchild Semiconductor Corporation.

### Logic Symbol

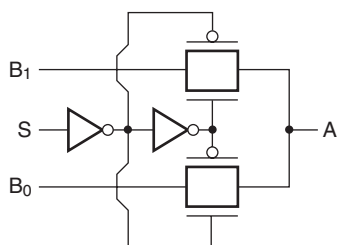
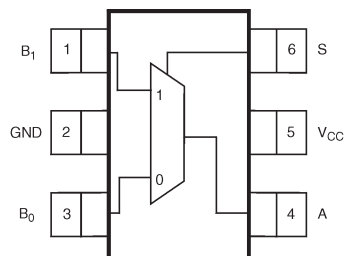


Figure 1. Logic Symbol

### Connection Diagrams



2. Pin Assignments SC70

### Analog Symbol

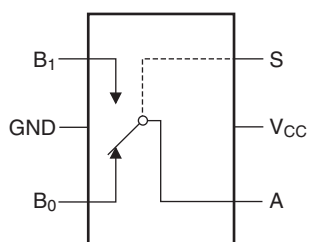


Figure 3. Analog Symbol

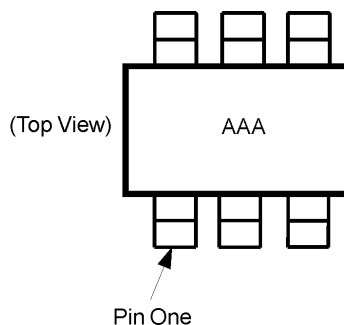


Figure 4. Pin One Orientation

### Function Table

| Input (S)        | Function                      |
|------------------|-------------------------------|
| Logic Level Low  | B <sub>0</sub> Connected to A |
| Logic Level High | B <sub>1</sub> Connected to A |

*Note:*

Orientation of top mark determines pin one location. Read the top product code mark left to right and pin one is the lower left pin (see Figure 4).

### Pin Descriptions

| Pin Names                          | Description   |
|------------------------------------|---------------|
| A, B <sub>0</sub> , B <sub>1</sub> | Data Ports    |
| S                                  | Control Input |

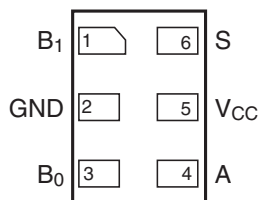


Figure 5. Pad Assignments for MicroPak™

## Absolute Maximum Ratings

Stresses exceeding the absolute maximum ratings may damage the device. The device may not function or be operable above the recommended operating conditions and stressing the parts to these levels is not recommended. In addition, extended exposure to stresses above the recommended operating conditions may affect device reliability. The absolute maximum ratings are stress ratings only.

| Symbol           | Parameter   | Rating                  |
|------------------|---|-------------------------|
| $V_{CC}$         | Supply Voltage                                    | -0.5V to +7.0V          |
| $V_S$            | DC Switch Voltage <sup>(1)</sup>                  | -0.5V to $V_{CC}$ +0.5V |
| $V_{IN}$         | DC Input Voltage <sup>(1)</sup>                   | -0.5V to +7.0V          |
| $I_{IK}$         | DC Input Diode Current at $V_{IN} < 0V$           | -50mA                   |
| $I_{OUT}$        | DC Output Current                                 | 128mA                   |
| $I_{CC}/I_{GND}$ | DC $V_{CC}$ or Ground Current                     | ±100mA                  |
| $T_{STG}$        | Storage Temperature Range                         | -65°C to +150°C         |
| $T_J$            | Junction Temperature Under Bias                   | 150°C                   |
| $T_L$            | Junction Lead Temperature (Soldering, 10 seconds) | 260°C                   |
| $P_D$            | Power Dissipation at +85°C                        | 180mW                   |
| ESD              | Electrostatic Discharge, Human Body Model         | 4000V                   |

### Note:

1. The input and output negative voltage ratings may be exceeded if the input and output diode current ratings are observed.

## Recommended Operating Conditions

The Recommended Operating Conditions table defines the conditions for actual device operation. Recommended operating conditions are specified to ensure optimal performance to the datasheet specifications. Fairchild does not recommend exceeding them or designing to absolute maximum ratings.

| Symbol        | Parameter                            | Rating                             |                 |
|---------------|--------------------------------------|------------------------------------|-----------------|
| $V_{CC}$      | Supply Voltage Operating             | 1.65V to 5.5V                      |                 |
| $V_{IN}$      | Control Input Voltage <sup>(2)</sup> | 0V to $V_{CC}$                     |                 |
| $V_{IN}$      | Switch Input Voltage <sup>(2)</sup>  | 0V to $V_{CC}$                     |                 |
| $V_{OUT}$     | Output Voltage <sup>(2)</sup>        | 0V to $V_{CC}$                     |                 |
| $T_A$         | Operating Temperature                | -40°C to +85°C                     |                 |
| $t_r, t_f$    | Input Rise and Fall Time             | Control Input $V_{CC} = 2.3V-3.6V$ | 0ns/V to 10ns/V |
|               |                                      | Control Input $V_{CC} = 4.5V-5.5V$ | 0ns/V to 5ns/V  |
| $\theta_{JA}$ | Thermal Resistance                   | 350°C/W                            |                 |

### Note:

2. Control input must be held HIGH or LOW; it must not float.

## DC Electrical Characteristics

| Symbol   | Parameter   | Conditions  | V <sub>CC</sub> (V) | T <sub>A</sub> = +25°C |       |                      | T <sub>A</sub> = -40°C to +85°C |                      | Units |
|--|---|---|---------------------|------------------------|-------|----------------------|---------------------------------|----------------------|-------|
|  |   |   |                     | Min.                   | Typ.  | Max.                 | Min.                            | Max.                 |       |
| V <sub>IH</sub>                                | High Level Input Voltage                                  |   | 1.65 – 1.95         | 0.75 V <sub>CC</sub>   |       |                      | 0.75 V <sub>CC</sub>            |                      | V     |
|  |   |   | 2.3 – 5.5           | 0.7 V <sub>CC</sub>    |       |                      | 0.7 V <sub>CC</sub>             |                      |       |
| V <sub>IL</sub>                                | Low Level Input Voltage                                   |   | 1.65 – 1.95         |                        |       | 0.25 V <sub>CC</sub> |                                 | 0.25 V <sub>CC</sub> | V     |
|  |   |   | 2.3 – 5.5           |                        |       | 0.3 V <sub>CC</sub>  |                                 | 0.3 V <sub>CC</sub>  |       |
| I <sub>IN</sub>                                | Input Leakage Current                                     | 0 ≤ V <sub>IN</sub> ≤ 5.5V                                    | 0 – 5.5             |                        | ±0.05 | ±0.1                 |                                 | ±1                   | μA    |
| I <sub>OFF</sub>                               | Off State Leakage Current                                 | 0 ≤ A, B ≤ V <sub>CC</sub>                                    | 1.65 – 5.5          |                        | ±0.05 | ±0.1                 |                                 | ±1                   | μA    |
| R <sub>ON</sub>                                | Switch On Resistance <sup>(3)</sup>                       | V <sub>IN</sub> = 0V, I <sub>O</sub> = 30mA                   | 4.5                 |                        | 3.0   | 7.0                  |                                 | 7.0                  | Ω     |
|  |   | V <sub>IN</sub> = 2.4V, I <sub>O</sub> = -30mA                |                     |                        | 5.0   | 12.0                 |                                 | 12.0                 |       |
|  |   | V <sub>IN</sub> = 4.5V, I <sub>O</sub> = -30mA                |                     | 7.0                    | 15.0  |                      | 15.0                            |                      |       |
|  |   | V <sub>IN</sub> = 0V, I <sub>O</sub> = 24mA                   | 3.0                 |                        | 4.0   | 9.0                  |                                 | 9.0                  |       |
|  |   | V <sub>IN</sub> = 3V, I <sub>O</sub> = -24mA                  |                     |                        | 10.0  | 20.0                 |                                 | 20.0                 |       |
|  |   | V <sub>IN</sub> = 0V, I <sub>O</sub> = 8mA                    | 2.3                 |                        | 5.0   | 12.0                 |                                 | 12.0                 |       |
|  |   | V <sub>IN</sub> = 2.3V, I <sub>O</sub> = -8mA                 |                     |                        | 13.0  | 30.0                 |                                 | 30.0                 |       |
|  |   | V <sub>IN</sub> = 0V, I <sub>O</sub> = 4mA                    | 1.65                |                        | 6.5   | 20.0                 |                                 | 20.0                 |       |
| V <sub>IN</sub> = 1.65V, I <sub>O</sub> = -4mA |   | 17.0  |                     | 50.0                   |       | 50.0                 |                                 |                      |       |
| I <sub>CC</sub>                                | Quiescent Supply Current; All Channels On or Off          | V <sub>IN</sub> = V <sub>CC</sub> or GND I <sub>OUT</sub> = 0 | 5.5                 |                        |       | 1                    |                                 | 10                   | μA    |
|  | Analog Signal Range                                       |   | V <sub>CC</sub>     | 0                      |       | V <sub>CC</sub>      | 0                               | V <sub>CC</sub>      | V     |
| R <sub>RANGE</sub>                             | On Resistance Over Signal Range <sup>(3, 7)</sup>         | I <sub>A</sub> = -30mA, 0 ≤ V <sub>Bn</sub> ≤ V <sub>CC</sub> | 4.5                 |                        |       |                      |                                 | 25.0                 | Ω     |
|  |   | I <sub>A</sub> = -24mA, 0 ≤ V <sub>Bn</sub> ≤ V <sub>CC</sub> | 3.0                 |                        |       |                      | 50.0                            |                      |       |
|  |   | I <sub>A</sub> = -8mA, 0 ≤ V <sub>Bn</sub> ≤ V <sub>CC</sub>  | 2.3                 |                        |       |                      | 100                             |                      |       |
|  |   | I <sub>A</sub> = -4mA, 0 ≤ V <sub>Bn</sub> ≤ V <sub>CC</sub>  | 1.65                |                        |       |                      | 300                             |                      |       |
| ΔR <sub>ON</sub>                               | On Resistance Match Between-Channels <sup>(3, 4, 4)</sup> | I <sub>A</sub> = -30mA, V <sub>Bn</sub> = 3.15                | 4.5                 |                        | 0.15  |                      |                                 |                      | Ω     |
|  |   | I <sub>A</sub> = -24mA, V <sub>Bn</sub> = 2.1                 | 3.0                 |                        | 0.2   |                      |                                 |                      |       |
|  |   | I <sub>A</sub> = -8mA, V <sub>Bn</sub> = 1.6                  | 2.3                 |                        | 0.5   |                      |                                 |                      |       |
|  |   | I <sub>A</sub> = -4mA, V <sub>Bn</sub> = 1.15                 | 1.65                |                        | 0.50  |                      |                                 |                      |       |
| R <sub>flat</sub>                              | On Resistance Flatness <sup>(3, 4, 6)</sup>               | I <sub>A</sub> = -30mA, 0 ≤ V <sub>Bn</sub> ≤ V <sub>CC</sub> | 5.0                 |                        | 6.0   |                      |                                 |                      | Ω     |
|  |   | I <sub>A</sub> = -24mA, 0 ≤ V <sub>Bn</sub> ≤ V <sub>CC</sub> | 3.3                 |                        | 12.0  |                      |                                 |                      |       |
|  |   | I <sub>A</sub> = -8mA, 0 ≤ V <sub>Bn</sub> ≤ V <sub>CC</sub>  | 2.5                 |                        | 28.0  |                      |                                 |                      |       |
|  |   | I <sub>A</sub> = -4mA, 0 ≤ V <sub>Bn</sub> ≤ V <sub>CC</sub>  | 1.8                 |                        | 125   |                      |                                 |                      |       |

### Notes:

- Measured by the voltage drop between A and B pins at the indicated current through the switch. On resistance is determined by the lower of the voltages on the two (A or B Ports).
- Parameter is characterized, but not tested in production.
- ΔR<sub>ON</sub> = R<sub>ON</sub> max – R<sub>ON</sub> minimum measured at identical V<sub>CC</sub>, temperature, and voltage levels.
- Flatness is defined as the difference between the maximum and minimum value of on resistance over the specified range of conditions.
- Guaranteed by design.

## AC Electrical Characteristics

| Symbol                                 | Parameter  | Conditions  | V <sub>CC</sub><br>(V) | T <sub>A</sub> = +25°C |       |      | T <sub>A</sub> = -40°C to +85°C |      | Units     | Figure Number          |
|--|--|---|------------------------|------------------------|-------|------|---------------------------------|------|-----------|------------------------|
|  |  |   |                        | Min.                   | Typ.  | Max. | Min.                            | Max. |           |                        |
| t <sub>PHL</sub> ,<br>t <sub>PLH</sub> | Propagation Delay Bus-to-Bus <sup>(8)</sup>            | V <sub>I</sub> = OPEN   | 1.65 – 1.95            |                        |       | 3.5  |                                 | 3.5  | ns        | Figure 12<br>Figure 13 |
|  |  |   | 2.3 – 2.7              |                        |       | 1.2  |                                 | 1.2  |           |                        |
|  |  |   | 3.0 – 3.6              |                        |       | 0.8  |                                 | 0.8  |           |                        |
|  |  |   | 4.5 – 5.5              |                        |       | 0.3  |                                 | 0.3  |           |                        |
| t <sub>PZL</sub> ,<br>t <sub>PZH</sub> | Output Enable Time Turn-On Time (A to B <sub>n</sub> ) | V <sub>I</sub> = 2 x V <sub>CC</sub> for t <sub>PZL</sub><br>V <sub>I</sub> = 0V for t <sub>PZH</sub> | 1.65 – 1.95            | 7.0                    |       | 23.0 | 7.0                             | 24.0 | ns        | Figure 12<br>Figure 13 |
|  |  |   | 2.3 – 2.7              | 3.5                    |       | 13.0 | 3.5                             | 14.0 |           |                        |
|  |  |   | 3.0 – 3.6              | 2.5                    |       | 6.9  | 2.5                             | 7.6  |           |                        |
|  |  |   | 4.5 – 5.5              | 1.7                    |       | 5.2  | 1.7                             | 5.7  |           |                        |
| t <sub>PLZ</sub> ,<br>t <sub>PHZ</sub> | Output Disable Time Turn-Off Time (A Port to B Port)   | V <sub>I</sub> = 2 x V <sub>CC</sub> for t <sub>PLZ</sub><br>V <sub>I</sub> = 0V for t <sub>PHZ</sub> | 1.65 – 1.95            | 3.0                    |       | 12.5 | 3.0                             | 13.0 | ns        | Figure 12<br>Figure 13 |
|  |  |   | 2.3 – 2.7              | 2.0                    |       | 7.0  | 2.0                             | 7.5  |           |                        |
|  |  |   | 3.0 – 3.6              | 1.5                    |       | 5.0  | 1.5                             | 5.3  |           |                        |
|  |  |   | 4.5 – 5.5              | 0.8                    |       | 3.5  | 0.8                             | 3.8  |           |                        |
| t <sub>B-M</sub>                       | Break-Before-Make Time <sup>(9)</sup>                  |   | 1.65 – 1.95            | 0.5                    |       |      | 0.5                             |      | ns        | Figure 14              |
|  |  |   | 2.3 – 2.7              | 0.5                    |       |      | 0.5                             |      |           |                        |
|  |  |   | 3.0 – 3.6              | 0.5                    |       |      | 0.5                             |      |           |                        |
|  |  |   | 4.5 – 5.5              | 0.5                    |       |      | 0.5                             |      |           |                        |
| Q                                      | Charge Injection <sup>(9)</sup>                        | C <sub>L</sub> = 0.1nF, V <sub>GEN</sub> = 0V,  | 5.0                    |                        | 7.0   |      |                                 | pC   | Figure 15 |                        |
|  |  | R <sub>GEN</sub> = 0Ω   | 3.3                    |                        | 3.0   |      |                                 |      |           |                        |
| OIRR                                   | Off Isolation <sup>(10)</sup>                          | R <sub>L</sub> = 50Ω, f = 10MHz   | 1.65 – 5.5             |                        | -57.0 |      |                                 | dB   | Figure 16 |                        |
| Xtalk                                  | Crosstalk  | R <sub>L</sub> = 50Ω, f = 10MHz   | 1.65 – 5.5             |                        | -54.0 |      |                                 | dB   | Figure 17 |                        |
| BW                                     | -3dB Bandwidth   | R <sub>L</sub> = 50Ω  | 1.65 – 5.5             |                        | 250   |      |                                 | MHz  | Figure 20 |                        |
| THD                                    | Total Harmonic Distortion <sup>(9)</sup>               | R <sub>L</sub> = 600Ω, 0.5 V <sub>PP</sub> ,<br>f = 600 Hz to 20 KHz                                  | 5.0                    |                        | .011  |      |                                 | %    |           |                        |

### Notes:

8. This parameter is guaranteed by design but not tested. The bus switch contributes no propagation delay other than the RC delay of the on resistance of the switch and the 50pF load capacitance, when driven by an ideal voltage source (zero output impedance).
9. Guaranteed by design.
10. Off Isolation = 20 log<sub>10</sub> [V<sub>A</sub> / V<sub>Bn</sub>].

## Capacitance

T<sub>A</sub> = +25°C, f = 1MHz. Capacitance is characterized, but not tested in production.

| Symbol              | Parameter                                 | Conditions             | Typ. | Max. | Units | Figure Number |
|---------------------|---|------------------------|------|------|-------|---------------|
| C <sub>IN</sub>     | Control Pin Input Capacitance             | V <sub>CC</sub> = 0V   | 2.3  |      | pF    |               |
| C <sub>IO-B</sub>   | B Port Off Capacitance                    | V <sub>CC</sub> = 5.0V | 6.5  |      | pF    | Figure 18     |
| C <sub>IOA-ON</sub> | A Port Capacitance When Switch Is Enabled | V <sub>CC</sub> = 5.0V | 18.5 |      | pF    | Figure 19     |

## Typical Characteristics

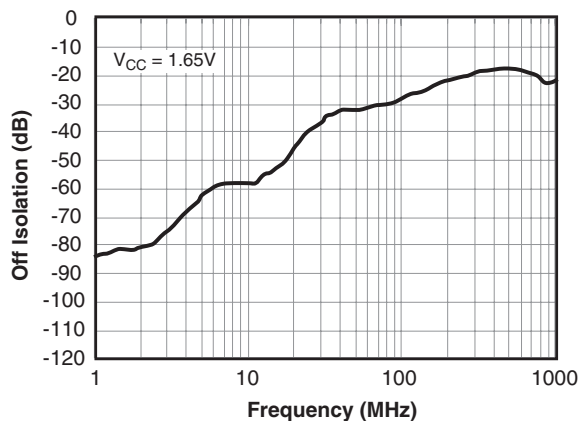


Figure 6. Off Isolation,  $V_{CC} = 1.65V$

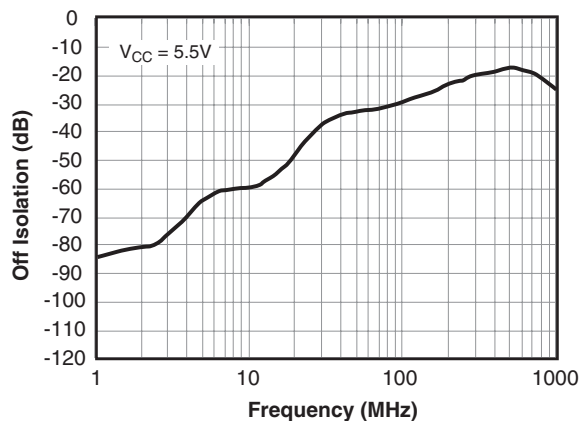


Figure 7. Off Isolation,  $V_{CC} = 5.5V$

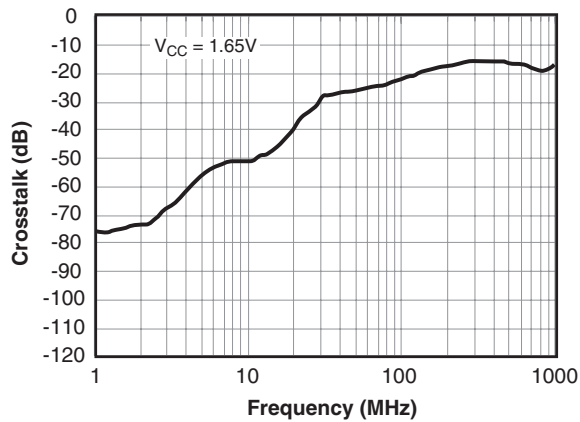


Figure 8. Crosstalk,  $V_{CC} = 1.65V$

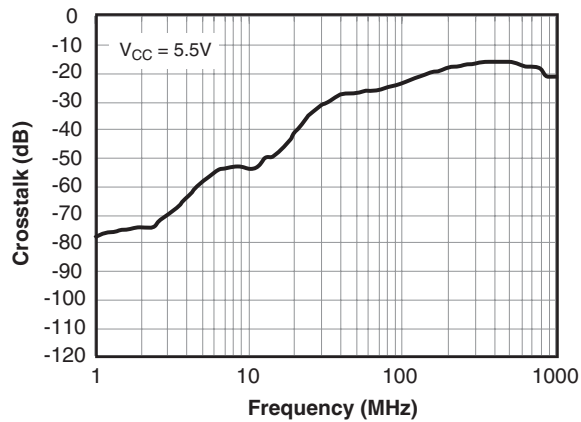


Figure 9. Crosstalk,  $V_{CC} = 5.5V$

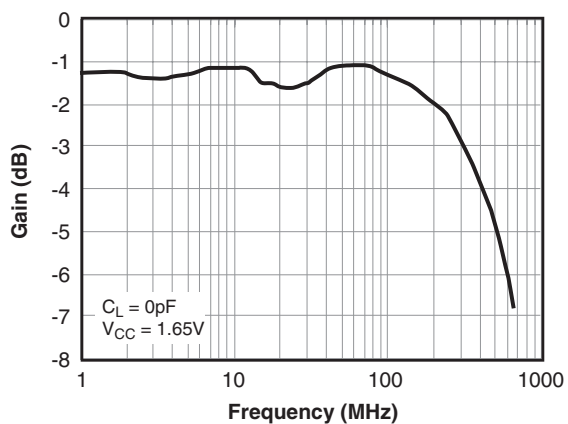


Figure 10. Bandwidth,  $V_{CC} = 1.65V$

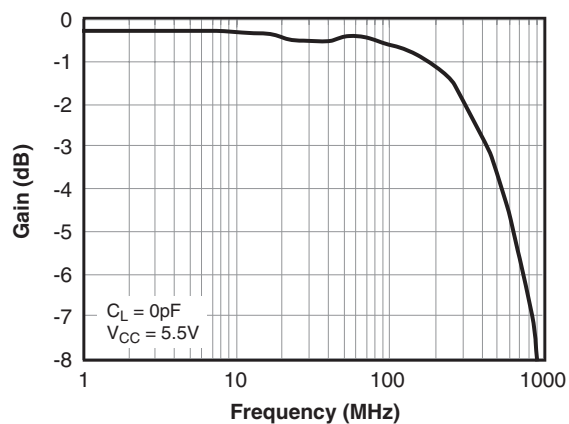
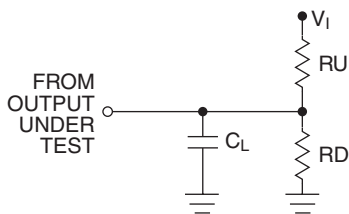


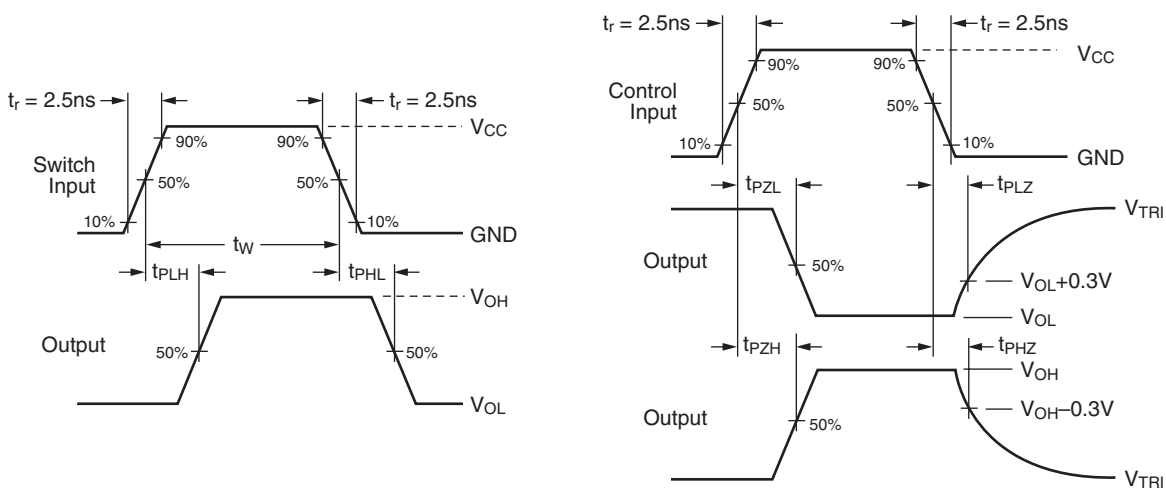
Figure 11. Bandwidth,  $V_{CC} = 5.5V$

## AC Loading and Waveforms

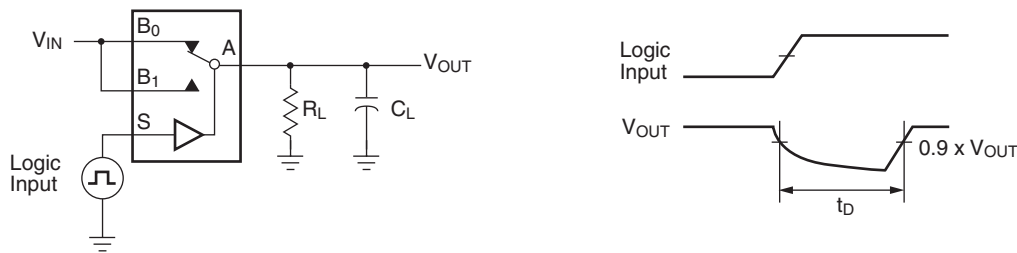


**Notes:**  
 Input driven by 50Ω source terminated in 50Ω  
 $C_L$  includes load and stray capacitance  
 Input PRR = 1.0 MHz;  $t_W$  = 500 ns

**Figure 12. AC Test Circuit**

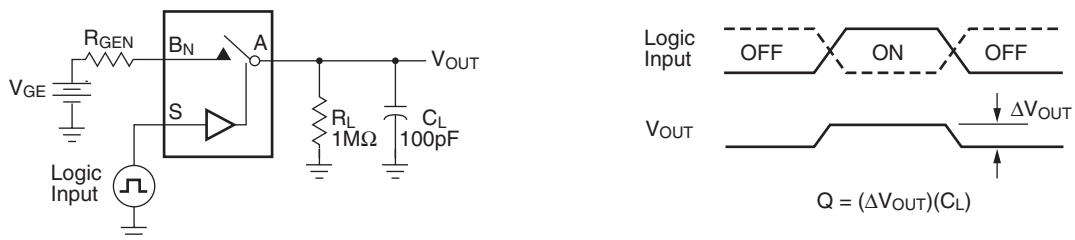


**Figure 13. AC Waveforms**

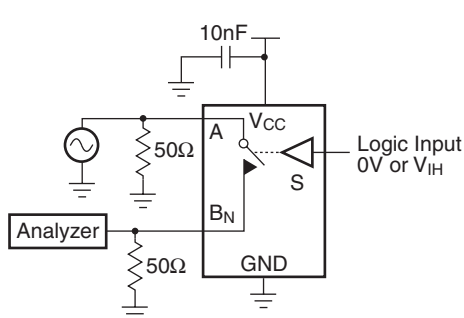


**Figure 14. Break-Before-Make Interval Timing**

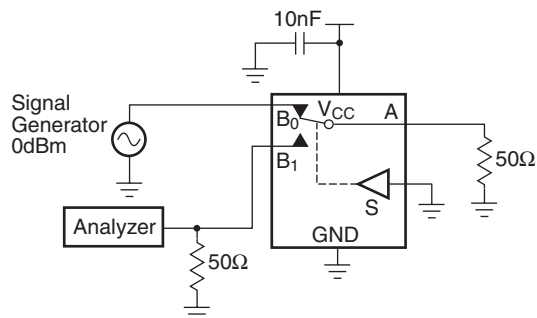
### AC Loading and Waveforms (continued)



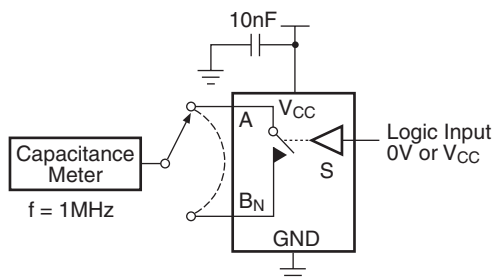
**Figure 15. Charge Injection Test**



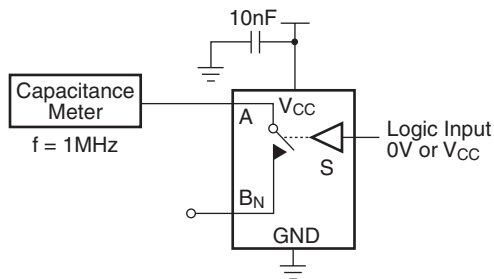
**Figure 16. Off Isolation**



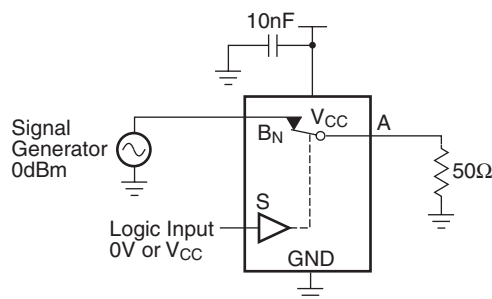
**Figure 17. Crosstalk**



**Figure 18. Channel Off Capacitance**



**Figure 19. Channel On Capacitance**



**Figure 20. Bandwidth**

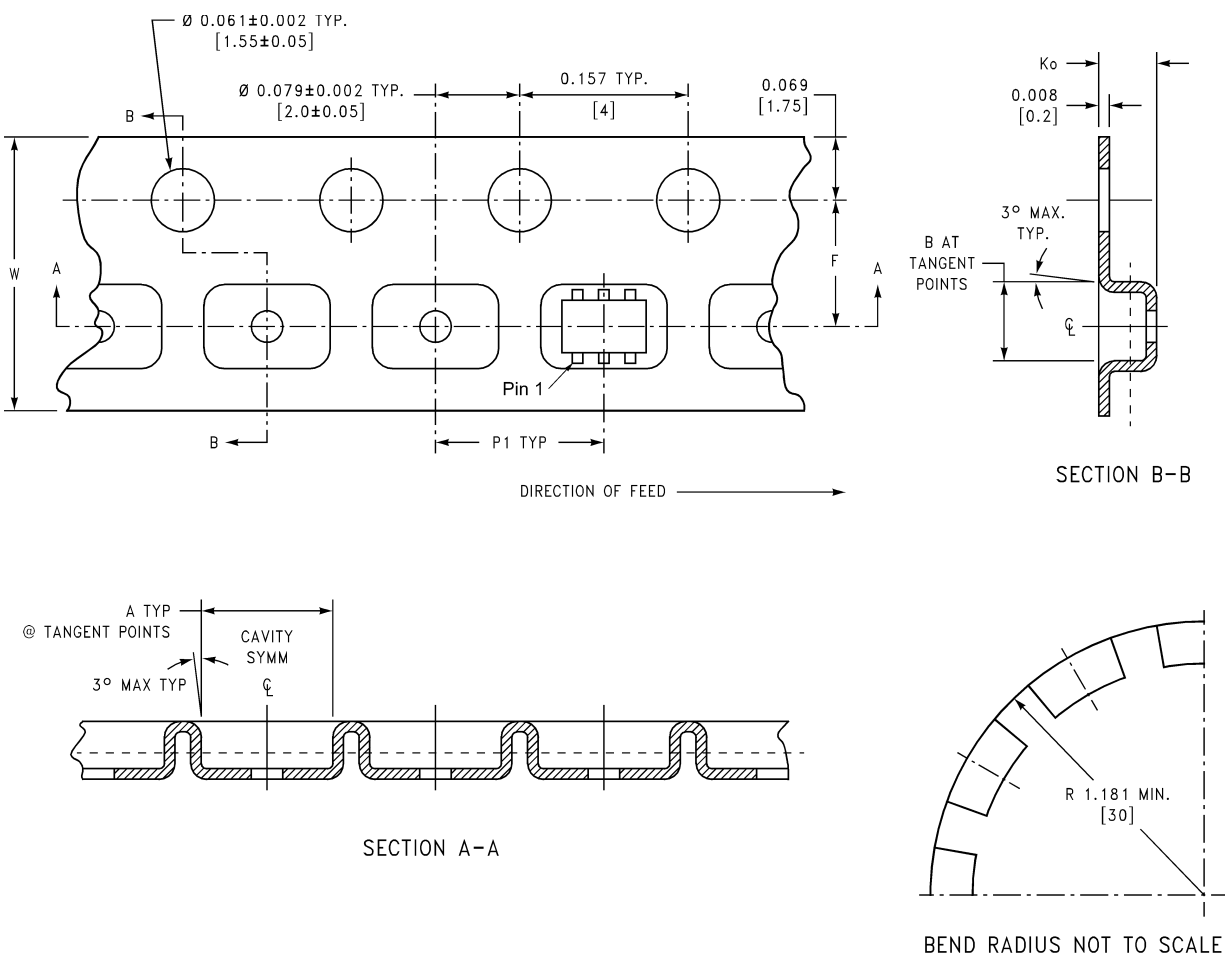
## Tape and Reel Specification

### Tape Format for SC70

| Package Designator | Tape Section       | Number Cavities | Cavity Status | Cover Tape Status |
|--------------------|--------------------|-----------------|---------------|-------------------|
| P6X                | Leader (Start End) | 125 (typical)   | Empty         | Sealed            |
|                    | Carrier            | 3000            | Filled        | Sealed            |
|                    | Trailer (Hub End)  | 75 (typical)    | Empty         | Sealed            |

### Tape Dimensions

Dimensions are in inches (millimeters) unless otherwise noted.

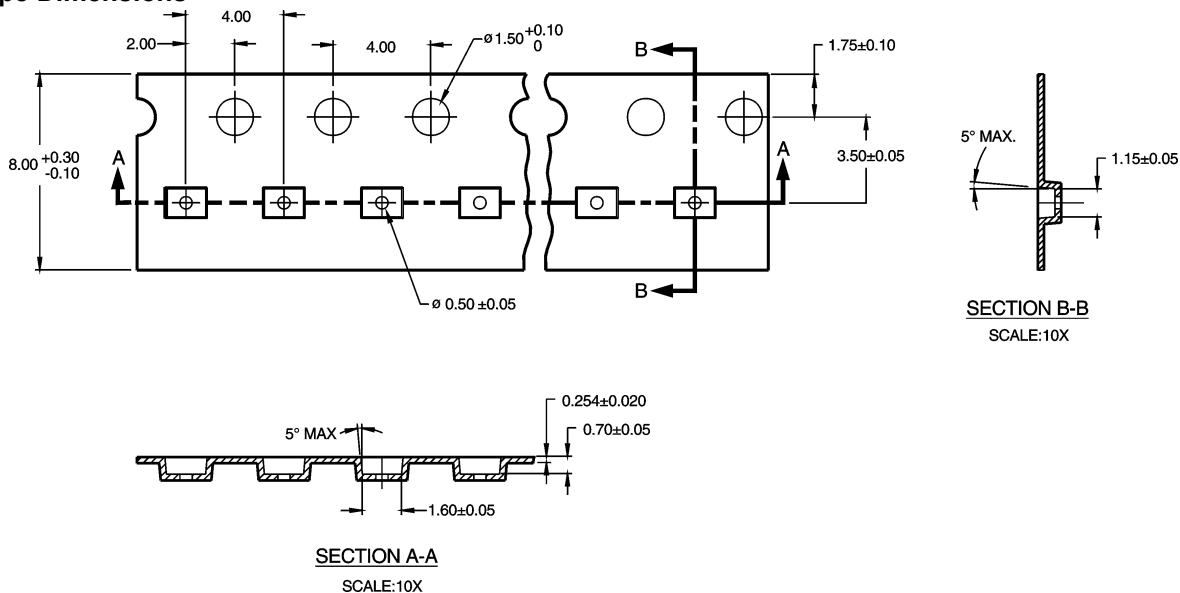


| Package | Tape Size | DIM A  | DIM B  | DIM F         | DIM K <sub>o</sub> | DIM P1 | DIM W         |
|---------|-----------|--------|--------|---------------|--------------------|--------|---------------|
| SC70-6  |           | 0.093  | 0.096  | 0.138 ± 0.004 | 0.053 ± 0.004      | 0.157  | 0.315 ± 0.004 |
|         | (8mm)     | (2.35) | (2.45) | (3.5 ± 0.10)  | (1.35 ± 0.10)      | (4)    | (8 ± 0.1)     |

### Tape Format for MicroPak™

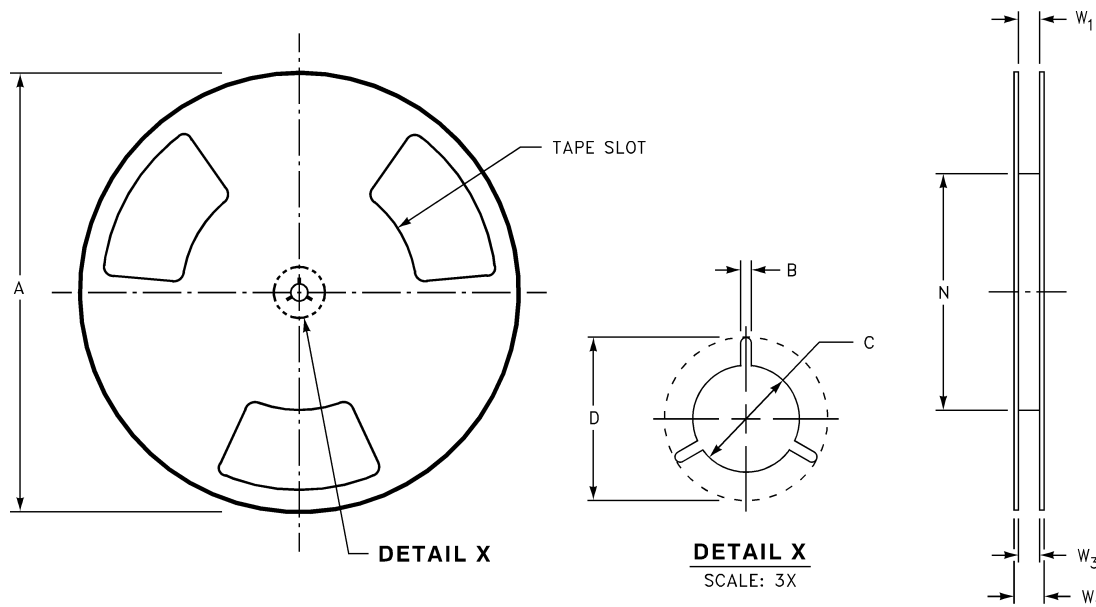
| Package Designator | Tape Section       | Number Cavities | Cavity Status | Cover Tape Status |
|--------------------|--------------------|-----------------|---------------|-------------------|
| L6X                | Leader (Start End) | 125 (typical)   | Empty         | Sealed            |
|                    | Carrier            | 5000            | Filled        | Sealed            |
|                    | Trailer (Hub End)  | 75 (typical)    | Empty         | Sealed            |

### Tape Dimensions



### Reel Dimensions

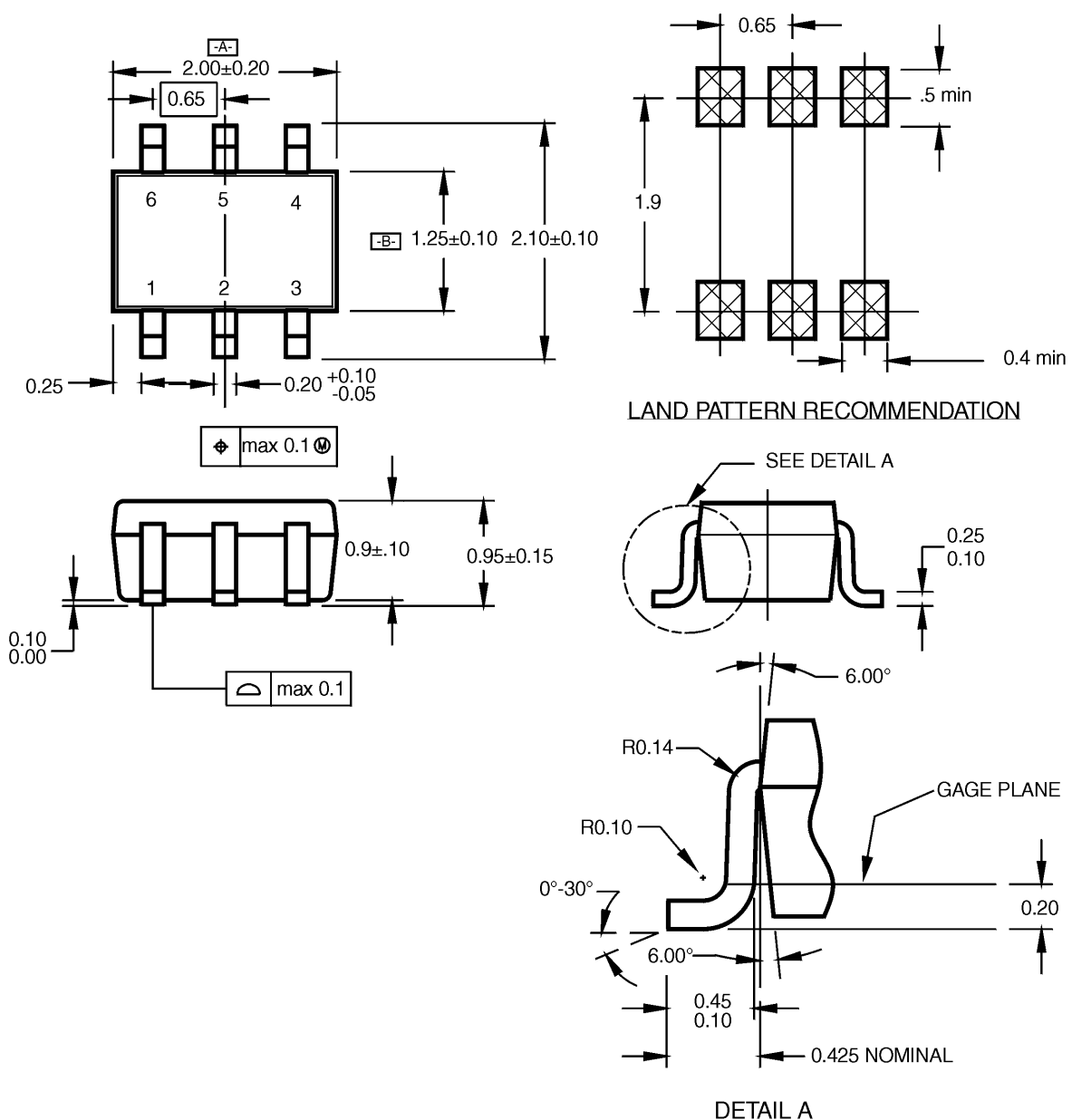
Dimensions are in inches (millimeters) unless otherwise noted.



| Tape Size | A       | B      | C       | D       | N       | W1                   | W2      | W3                |
|-----------|---------|--------|---------|---------|---------|----------------------|---------|-------------------|
|           | 7.0     | 0.059  | 0.512   | 0.795   | 2.165   | 0.331 + 0.059/-0.000 | 0.567   | W1 + 0.078/-0.039 |
| (8mm)     | (177.8) | (1.50) | (13.00) | (20.20) | (55.00) | (8.40 + 1.50/-0.00)  | (14.40) | (W1 + 2.00/-1.00) |

## Physical Dimensions

Dimensions are in millimeters unless otherwise noted.



**NOTES:**

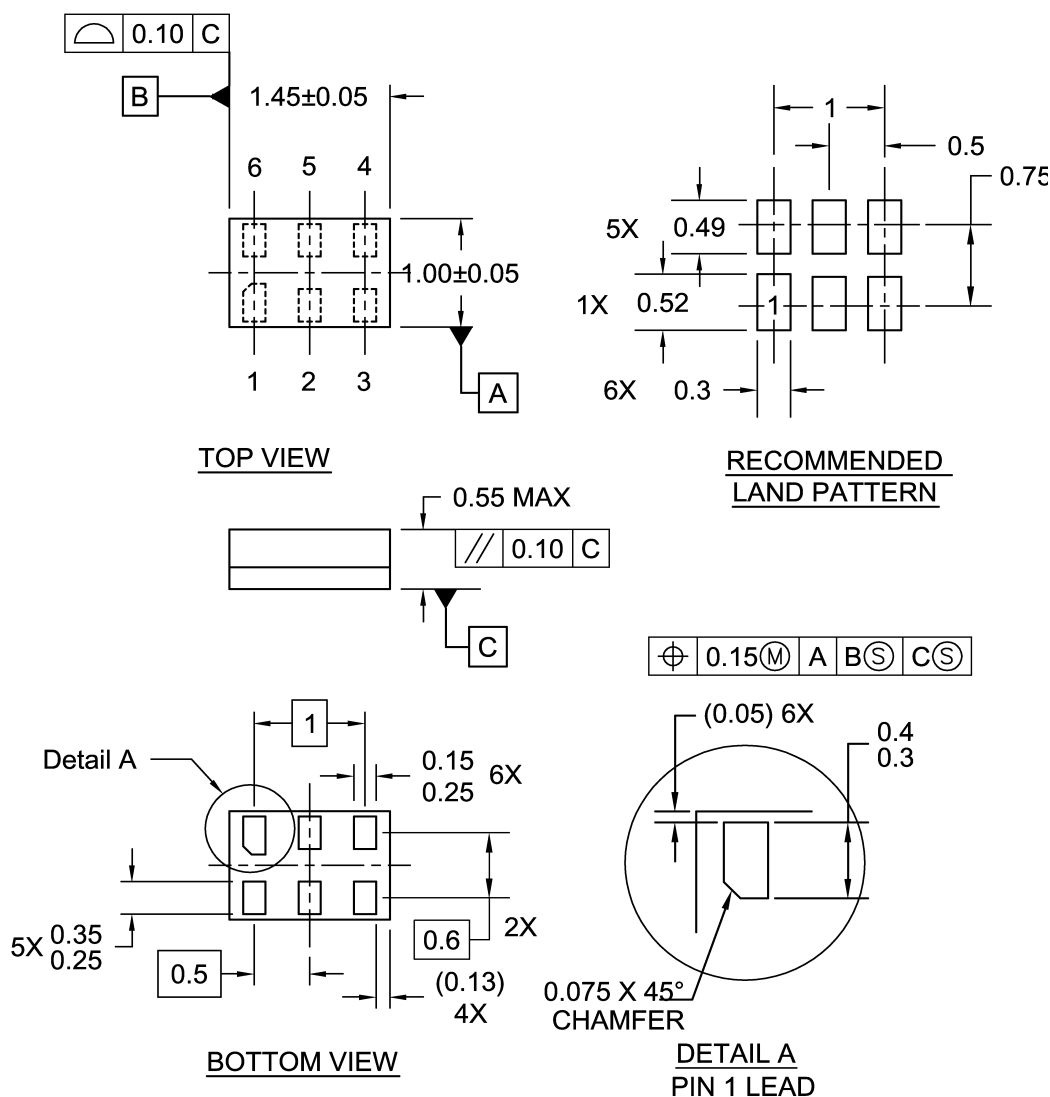
- A. CONFORMS TO EIAJ REGISTERED OUTLINE DRAWING SC88.
- B. DIMENSIONS DO NOT INCLUDE BURRS OR MOLD FLASH.
- C. DIMENSIONS ARE IN MILLIMETERS.

MAA06ARevC

**Figure 21. 6-Lead, SC70, EIAJ SC88, 1.25mm Wide Package**

## Physical Dimensions

Dimensions are in millimeters unless otherwise noted.



**Notes:**

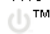
1. JEDEC PACKAGE REGISTRATION IS ANTICIPATED
2. DIMENSIONS ARE IN MILLIMETERS
3. DRAWING CONFORMS TO ASME Y14.5M-1994

MAC06ARevB

**Figure 22. 6-Lead, MicroPak™ 1.0mm Wide Package**

**TRADEMARKS**

The following are registered and unregistered trademarks Fairchild Semiconductor owns or is authorized to use and is not intended to be an exhaustive list of all such trademarks.

|  |                                |   |                             |
|--|--------------------------------|---|-----------------------------|
| ACEx <sup>®</sup>                                | <i>i-Lo</i> <sup>™</sup>       | Power-SPM <sup>™</sup>  | TinyBoost <sup>™</sup>      |
| Across the board. Around the world. <sup>™</sup> | ImpliedDisconnect <sup>™</sup> | PowerTrench <sup>®</sup>  | TinyBuck <sup>™</sup>       |
| ActiveArray <sup>™</sup>                         | IntelliMAX <sup>™</sup>        | Programmable Active Droop <sup>™</sup>  | TinyLogic <sup>®</sup>      |
| Bottomless <sup>™</sup>                          | ISOPLANAR <sup>™</sup>         | QFET <sup>®</sup>   | TINYOPTO <sup>™</sup>       |
| Build it Now <sup>™</sup>                        | MICROCOUPLER <sup>™</sup>      | QST <sup>™</sup>  | TinyPower <sup>™</sup>      |
| CoolFET <sup>™</sup>                             | MicroPak <sup>™</sup>          | QT Optoelectronics <sup>™</sup>   | TinyWire <sup>™</sup>       |
| CROSSVOLT <sup>™</sup>                           | MICROWIRE <sup>™</sup>         | Quiet Series <sup>™</sup>   | TruTranslation <sup>™</sup> |
| CTL <sup>™</sup>                                 | Motion-SPM <sup>™</sup>        | RapidConfigure <sup>™</sup>   | μSerDes <sup>™</sup>        |
| Current Transfer Logic <sup>™</sup>              | MSX <sup>™</sup>               | RapidConnect <sup>™</sup>   | UHC <sup>®</sup>            |
| DOME <sup>™</sup>                                | MSXPro <sup>™</sup>            | ScalarPump <sup>™</sup>   | UniFET <sup>™</sup>         |
| E <sup>2</sup> CMOST <sup>™</sup>                | OCX <sup>™</sup>               | SMART START <sup>™</sup>  | VCX <sup>™</sup>            |
| EcoSPARK <sup>®</sup>                            | OCXPro <sup>™</sup>            | SPM <sup>®</sup>  | Wire <sup>™</sup>           |
| EnSigna <sup>™</sup>                             | OPTOLOGIC <sup>®</sup>         | STEALTH <sup>™</sup>  |                             |
| FACT Quiet Series <sup>™</sup>                   | OPTOPLANAR <sup>®</sup>        | SuperFET <sup>™</sup>   |                             |
| FACT <sup>®</sup>                                | PACMAN <sup>™</sup>            | SuperSOT <sup>™</sup> .3  |                             |
| FAST <sup>®</sup>                                | PDP-SPM <sup>™</sup>           | SuperSOT <sup>™</sup> .6  |                             |
| FAST <sub>r</sub> <sup>™</sup>                   | POP <sup>™</sup>               | SuperSOT <sup>™</sup> .8  |                             |
| FPS <sup>™</sup>                                 | Power220 <sup>®</sup>          | SyncFET <sup>™</sup>  |                             |
| FRFET <sup>®</sup>                               | Power247 <sup>®</sup>          | TCM <sup>™</sup>  |                             |
| GlobalOptoisolator <sup>™</sup>                  | PowerEdge <sup>™</sup>         | The Power Franchise <sup>®</sup>  |                             |
| GTO <sup>™</sup>                                 | PowerSaver <sup>™</sup>        |  |                             |
| HiSeC <sup>™</sup>                               |                                |   |                             |

**DISCLAIMER**

FAIRCHILD SEMICONDUCTOR RESERVES THE RIGHT TO MAKE CHANGES WITHOUT FURTHER NOTICE TO ANY PRODUCTS HEREIN TO IMPROVE RELIABILITY, FUNCTION OR DESIGN. FAIRCHILD DOES NOT ASSUME ANY LIABILITY ARISING OUT OF THE APPLICATION OR USE OF ANY PRODUCT OR CIRCUIT DESCRIBED HEREIN; NEITHER DOES IT CONVEY ANY LICENSE UNDER ITS PATENT RIGHTS, NOR THE RIGHTS OF OTHERS. THESE SPECIFICATIONS DO NOT EXPAND THE TERMS OF FAIRCHILD'S WORLDWIDE TERMS AND CONDITIONS, SPECIFICALLY THE WARRANTY THEREIN, WHICH COVERS THESE PRODUCTS.

**LIFE SUPPORT POLICY**

FAIRCHILD'S PRODUCTS ARE NOT AUTHORIZED FOR USE AS CRITICAL COMPONENTS IN LIFE SUPPORT DEVICES OR SYSTEMS WITHOUT THE EXPRESS WRITTEN APPROVAL OF FAIRCHILD SEMICONDUCTOR CORPORATION.

As used herein:

- Life support devices or systems are devices or systems which, (a) are intended for surgical implant into the body or (b) support or sustain life, and (c) whose failure to perform when properly used in accordance with instructions for use provided in the labeling can be reasonably expected to result in a significant injury of the user.
- A critical component in any component of a life support, device, or system whose failure to perform can be reasonably expected to cause the failure of the life support device or system, or to affect its safety or effectiveness.

**PRODUCT STATUS DEFINITIONS**
**Definition of Terms**

| Datasheet Identification | Product Status         | Definition   |
|--------------------------|------------------------|--|
| Advance Information      | Formative or In Design | This datasheet contains the design specifications for product development. Specifications may change in any manner without notice.   |
| Preliminary              | First Production       | This datasheet contains preliminary data; supplementary data will be published at a later date. Fairchild Semiconductor reserves the right to make changes at any time without notice to improve design. |
| No Identification Needed | Full Production        | This datasheet contains final specifications. Fairchild Semiconductor reserves the right to make changes at any time without notice to improve design.   |
| Obsolete                 | Not In Production      | This datasheet contains specifications on a product that has been discontinued by Fairchild Semiconductor. The datasheet is printed for reference information only.                                      |

Rev. 126