

FAN7314 LCD Backlight Inverter Drive IC

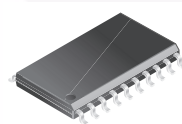
Features

- High-Efficiency Single-Stage Power Conversion
- Wide Input Voltage Range: 5V to 25.5V
- Back Light Lamp Ballast and Soft Dimming
- Reduces Number of Required External Components
- Precision Voltage Reference Trimmed to 2%
- ZVS Half-Bridge Topology
- Soft Start
- PWM Control at Fixed Frequency
- Analog and Burst Dimming Function
- Programmable Striking Frequency
- Open-Lamp Protection
- Open-Lamp Regulation
- 20-Pin SOIC

Description

The FAN7314 provides all the control functions for a series parallel resonant converter as well as a pulse width modulation (PWM) controller to develop a supply voltage. Typical operating frequency range is between 30kHz and 250kHz, depending on the CCFL and the transformer's characteristics.

20-SOIC



Ordering Information

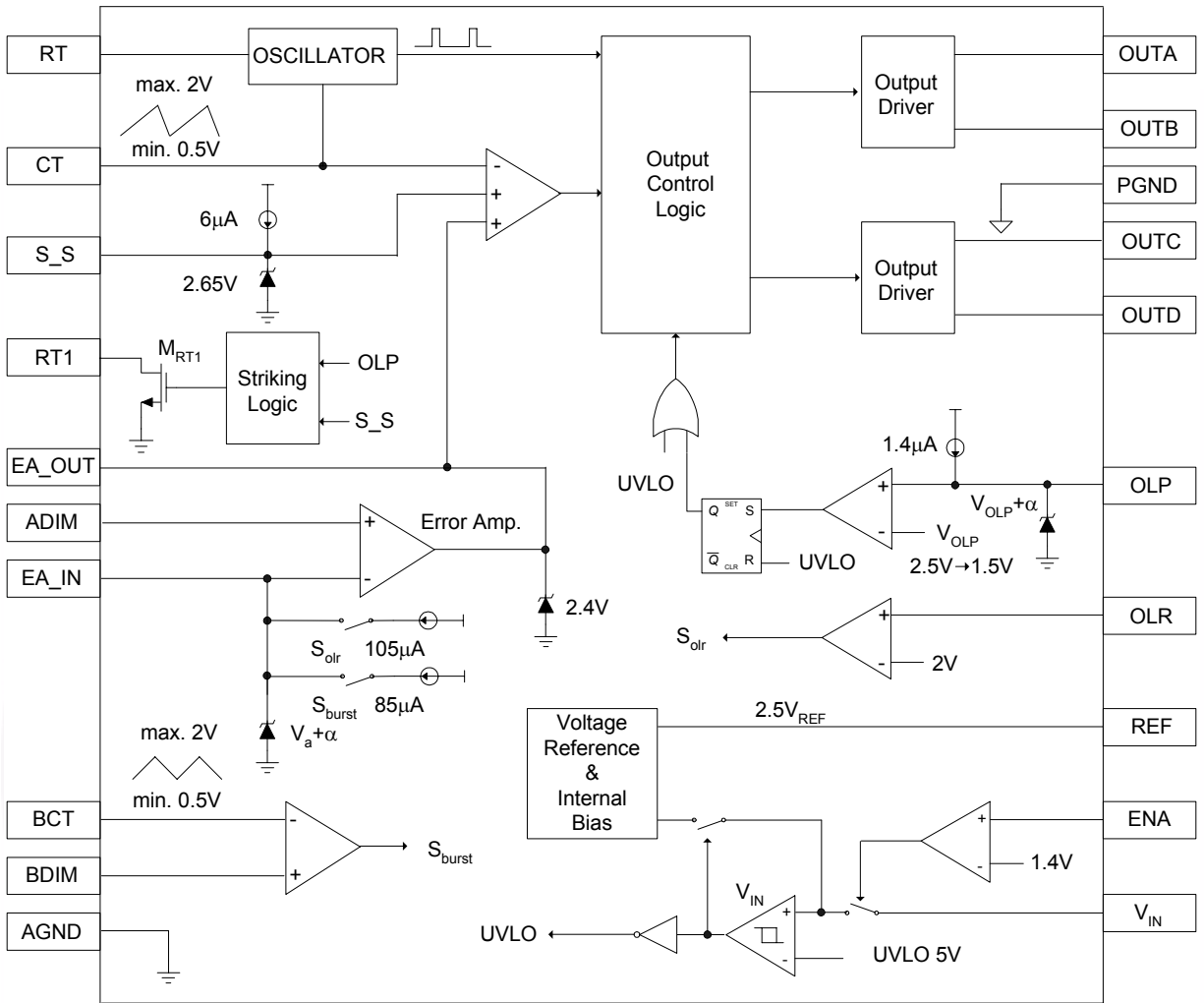
Part Number	Package	Operating Temperature Range	Packing Method
FAN7314M	20-SOIC	-25°C ~ 85°C	Rail
FAN7314MX	20-SOIC		Tape & Reel



All packages are lead free per JEDEC J-SDD-020B standard.

Protected by U.S. Patent: 5,652,479.

Internal Block Diagram



FAN7314 Rev.03

Figure 1. Functional Block Diagram

Pin Configuration

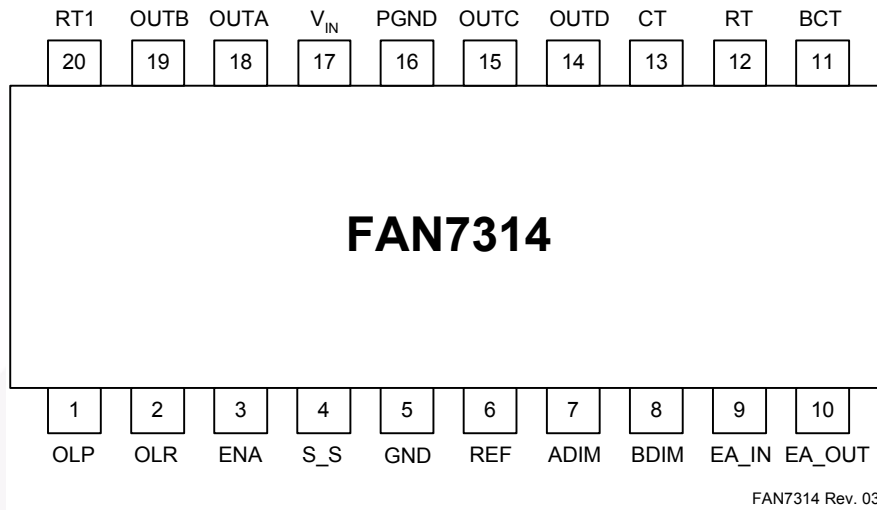


Figure 2. Pin Configuration (Top View)

Pin Definitions

Pin #	Name	Description	Pin #	Name	Description
1	OLP	Open-Lamp Protection	11	BCT	Burst Dimming Timing Capacitor
2	OLR	Open-Lamp Regulation	12	RT	Timing Resistor
3	ENA	Enable Input	13	CT	Timing Capacitor
4	S_S	Soft-Start	14	OUTD	NMOSFET Drive Output D
5	GND	Analog Ground	15	OUTC	PMOSFET Drive Output C
6	REF	2.5V Reference Voltage	16	PGND	Power Ground
7	ADIM	Analog Dimming Input	17	V _{IN}	Supply Voltage
8	BDIM	Burst Dimming Input	18	OUTA	PMOSFET Drive Output A
9	EA_IN	Error Amplifier Input	19	OUTB	NMOSFET Drive Output B
10	EA_OUT	Error Amplifier Output	20	RT1	Striking Frequency Resistor

Absolute Maximum Ratings

The “Absolute Maximum Ratings” are those values beyond which the safety of the device cannot be guaranteed. The device should not be operated at these limits. The parametric values defined in the Electrical Characteristics tables are not guaranteed at the absolute maximum ratings.

Symbol	Characteristics	Min.	Max.	Unit
V_{IN}	Supply Voltage	5.0	25.5	V
T_A	Operating Temperature Range	-25	+85	°C
T_J	Junction Temperature		+150	°C
T_{STG}	Storage Temperature Range	-65	+ 150	°C
θ_{JA}	Thermal Resistance Junction-to-Ambient ⁽¹⁾⁽²⁾		90	°C/W
P_D	Power Dissipation		1.4	W

Notes:

1. Thermal resistance test board size: 76.2 • 114.3 • 1.6mm (1S0P). JEDEC standard: JESD51-2, JESD51-3.
2. Assume no ambient airflow.

Electrostatic Discharge Level

Parameter	Pins	Conditions	Level	Unit
Human Body Model (HBM)	All pins	R=1.5K Ω , C=100pF	2000	V
Machine Model (MM)	All pins except for BDIM	C=200pF	300	
	BDIM		250	

Electrical Characteristics

For typical values, $T_A=25^\circ\text{C}$ and $V_{IN}=12\text{V}$. For min./max. values, T_A is the operating ambient temperature range with $-25^\circ\text{C} \leq T_A \leq 85^\circ\text{C}$ and $5\text{V} \leq V_{IN} \leq 25.5\text{V}$, unless otherwise specified. Specifications to $-25^\circ\text{C} \sim 85^\circ\text{C}$ are guaranteed by design based on final characterization results.

Symbol	Characteristics	Test Condition	Min.	Typ.	Max.	Unit
REFERENCE SECTION (Recommend X7R Capacitor)						
ΔV_{ref}	Line Regulation	$5 \leq V_{IN} \leq 25.5\text{V}$		2	25	mV
V_{25}	2.5V Regulation Voltage		2.45	2.50	2.55	V
OSCILLATOR SECTION (MAIN)						
f_{OSC}	Oscillation Frequency	$T_A=25^\circ\text{C}$, $C_T=270\text{pF}$, $RT=18\text{k}\Omega$	110.4	115.0	119.6	kHz
		$C_T=270\text{pF}$, $RT=18\text{k}\Omega$	108	115	122	
V_{cth}	CT High Voltage			2.0		V
V_{ctl}	CT Low Voltage			0.5		V
OSCILLATOR SECTION (BURST)						
f_{oscb}	Oscillation Frequency	$T_A=25^\circ\text{C}$, $C_{tb}=10\text{nF}$, $RT=18\text{k}\Omega$	209.25	225.00	240.75	Hz
		$C_{tb}=10\text{nF}$, $RT=18\text{k}\Omega$	206.25	225.00	241.75	
V_{bcth}	BCT High Voltage			2		V
V_{bcfl}	BCT Low Voltage			0.5		V
ERROR AMPLIFIER SECTION						
A_V	Open-Loop Gain ⁽³⁾			80		dB
G_{BW}	Unit Gain Bandwidth ⁽³⁾			1.5		MHz
V_{eh}	Feedback Output High Voltage	$EA_IN=0\text{V}$	2.0	2.4	2.8	V
I_{sin}	Output Sink Current	$EA_OUT=1.5\text{V}$			-1	mA
I_{sur}	Output Source Current	$EA_OUT=1.5\text{V}$	1			mA
I_{olr}	EA_IN Driving Current On OLR		75	105	135	μA
I_{burst}	EA_IN Driving Current On Burst Dimming		61	85	109	μA
V_{fbh}	Feedback High Voltage On Burst Dimming	$R(EA_IN)=60\text{k}\Omega$	$V_a+0.1$	$V_a+0.4$	$V_a+0.7$	V
SOFT-START SECTION						
I_{SS}	Soft-Start Current	$S_S=1\text{V}$	4	6	8	μA
V_{ssh}	Soft-Start Clamping Voltage		2.30	2.65	3.00	V
PROTECTION SECTION						
V_{olp0}	Open-Lamp Protection Voltage 0	Start at open lamp	2.2	2.5	2.8	V
V_{olp1}	Open-Lamp Protection Voltage 1	Normal -> open lamp	1.3	1.5	1.7	V
V_{olr}	Open-Lamp Regulation Voltage		1.75	2.00	2.25	V
I_{olp}	Open-Lamp Protection Charging Current		0.7	1.4	2.1	μA
UNDER-VOLTAGE LOCK OUT SECTION						
V_{th}	Start Threshold Voltage				5	V
I_{st}	Start-up Current	$V_{IN}=V_{th}-0.2$		130	180	μA
I_{op}	Operating Supply Current	$V_{IN}=12\text{V}$		1.5	4.0	mA
I_{sb}	Stand-by Current	$V_{IN}=12\text{V}$		200	370	μA

Note:

3. These parameters, although guaranteed, are not 100% tested in production.

Electrical Characteristics (Continued)

For typical values, $T_A=25^\circ\text{C}$ and $V_{IN}=12\text{V}$. For min./max. values, T_A is the operating ambient temperature range with $-25^\circ\text{C} \leq T_A \leq 85^\circ\text{C}$ and $5\text{V} \leq V_{IN} \leq 25.5\text{V}$, unless otherwise specified. Specifications to $-25^\circ\text{C} \sim 85^\circ\text{C}$ are guaranteed by design based on final characterization results.

Symbol	Characteristics	Test Condition	Min.	Typ.	Max.	Unit
ON/OFF SECTION						
V_{on}	On State Input Voltage		2		5	V
V_{off}	Off Stage Input Voltage				0.7	V
OUTPUT SECTION						
V_{pdhv}	PMOS Gate High Voltage	$V_{IN}=12\text{V}$		V_{IN}		V
V_{phlv}	PMOS Gate Low Voltage	$V_{IN}=12\text{V}$	$V_{IN}-10.5$	$V_{IN}-8.5$	$V_{IN}-6.5$	V
V_{ndhv}	NMOS Gate Drive Vulgate	$V_{IN}=12\text{V}$	6.5	8.5	10.5	V
V_{ndhv}	NMOS Gate Drive Vulgate	$V_{IN}=12\text{V}$		0		V
V_{puv}	PMOS Gate Voltage with UVLO Activated	$V_{IN}=V_{th}-0.2$	$V_{IN}-0.3$			V
V_{nuv}	NMOS Gate Voltage with UVLO Activated	$V_{IN}=V_{th}-0.2$			0.3	V
t_r	Rising Time ⁽⁴⁾	$V_{IN}=12\text{V}$, $C_{load}=2\text{nF}$		200	500	ns
t_f	Falling Time ⁽⁴⁾	$V_{IN}=12\text{V}$, $C_{load}=2\text{nF}$		200	500	ns
MAXIMUM / MINIMUM OVERLAP						
	Min. Overlap between diagonal switches ⁽⁴⁾	$f_{osc} = 100\text{kHz}$		0		%
	Max. Overlap between diagonal switches ⁽⁴⁾	$f_{osc} = 100\text{kHz}$		100		%
DELAY TIME						
	PDR_A/NDR_B ⁽⁴⁾	$RT=18\text{k}\Omega$		450		ns
	PDR_C/NDR_D ⁽⁴⁾	$RT=18\text{k}\Omega$		450		ns

Note:

4. These parameters, although guaranteed, are not 100% tested in production.

Function Description

UVLO: The under-voltage lockout circuit guarantees stable operation of the IC's control circuit by stopping and starting it as a function of the V_{IN} value. The UVLO circuit turns on the control circuit when V_{IN} exceeds 5V. When V_{IN} is lower than 5V, the IC's standby current is less than 200 μ A.

ENA: Applying voltage higher than 2V to the ENA pin enables the operation of the IC. Applying voltage lower than 0.7V to the ENA pin disables the operation of the inverter.

Soft-start: The soft-start function requires that the S_S pin is connected through a capacitor to GND. A soft-start circuit ensures a gradual increase in the input and output power. The capacitor connected to the S_S pin determines the rate at which the duty ratio rises. It is charged by a 6 μ A current source.

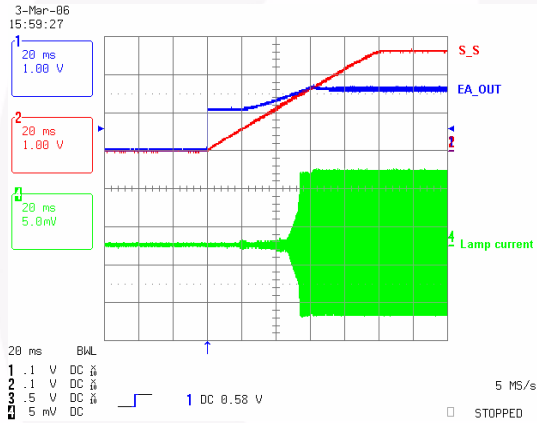


Figure 3. Soft-Start During Initial Operation

Main Oscillator: The timing capacitors (CTs) are charged by the reference current source, which is formed by the timing resistor (RT). The timing resistor's voltage is regulated at 1.25V. The sawtooth waveform charges up to 2V. Once this voltage is reached, the capacitors begin discharging down to 0.5V. Next, the timing capacitors start charging again and a new switching cycle begins. The main frequency can be programmed by adjusting the RT and CT values. The main frequency can be calculated as shown below.

$$f_{op} = \frac{19}{32 \cdot RT \cdot CT} \quad (1)$$

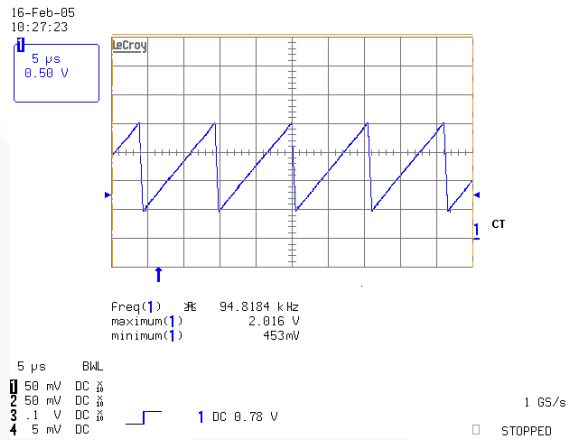


Figure 4. Main Oscillator Waveform

Burst Oscillator and Burst Dimming: The timing capacitors (BCTs) are charged by the reference current source, which is formed by the timing resistor (RT). The timing resistor's voltage is regulated at 1.25V. The sawtooth waveform charges up to 2V. Once this voltage is reached, the capacitors begin discharging down to 0.5V. Next the timing capacitors start charging again and a new switching cycle begins. The burst dimming frequency can be programmed by adjusting the RT and BCT values. The burst dimming frequency can be calculated as shown below.

$$f_{burst} = \frac{3.75}{96 \cdot RT \cdot CT} \quad (2)$$

To avoid visible flicker, the burst dimming frequency should be greater than 120Hz.

By comparing the input of BDIM pin with the 0.5~2V triangular wave of the burst oscillator the PWM pulses for burst dimming. The PWM pulse controls EA_OUT's voltage by summing 85 μ A into the EA_IN pin.

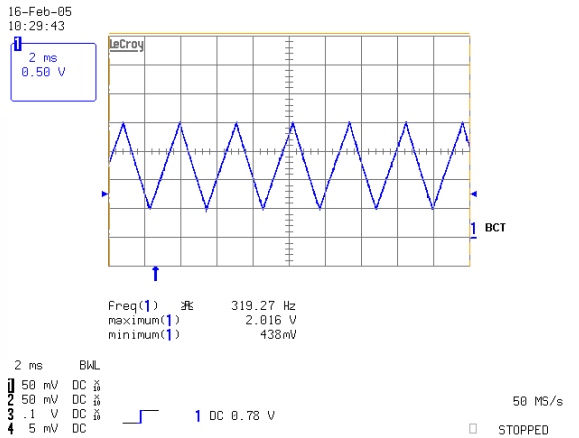


Figure 5. Burst Oscillator Waveform

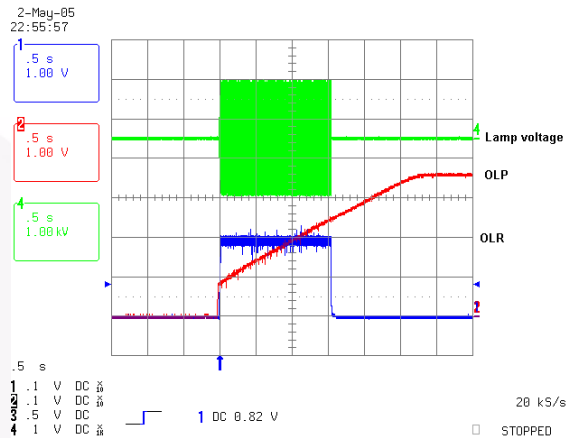


Figure 7. OLR Voltage During Striking Mode

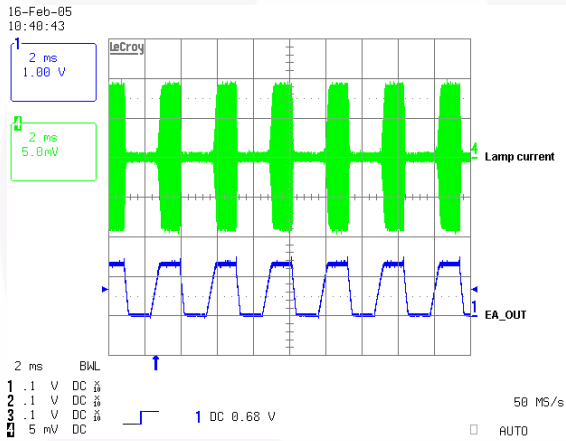


Figure 6. Burst Dimming

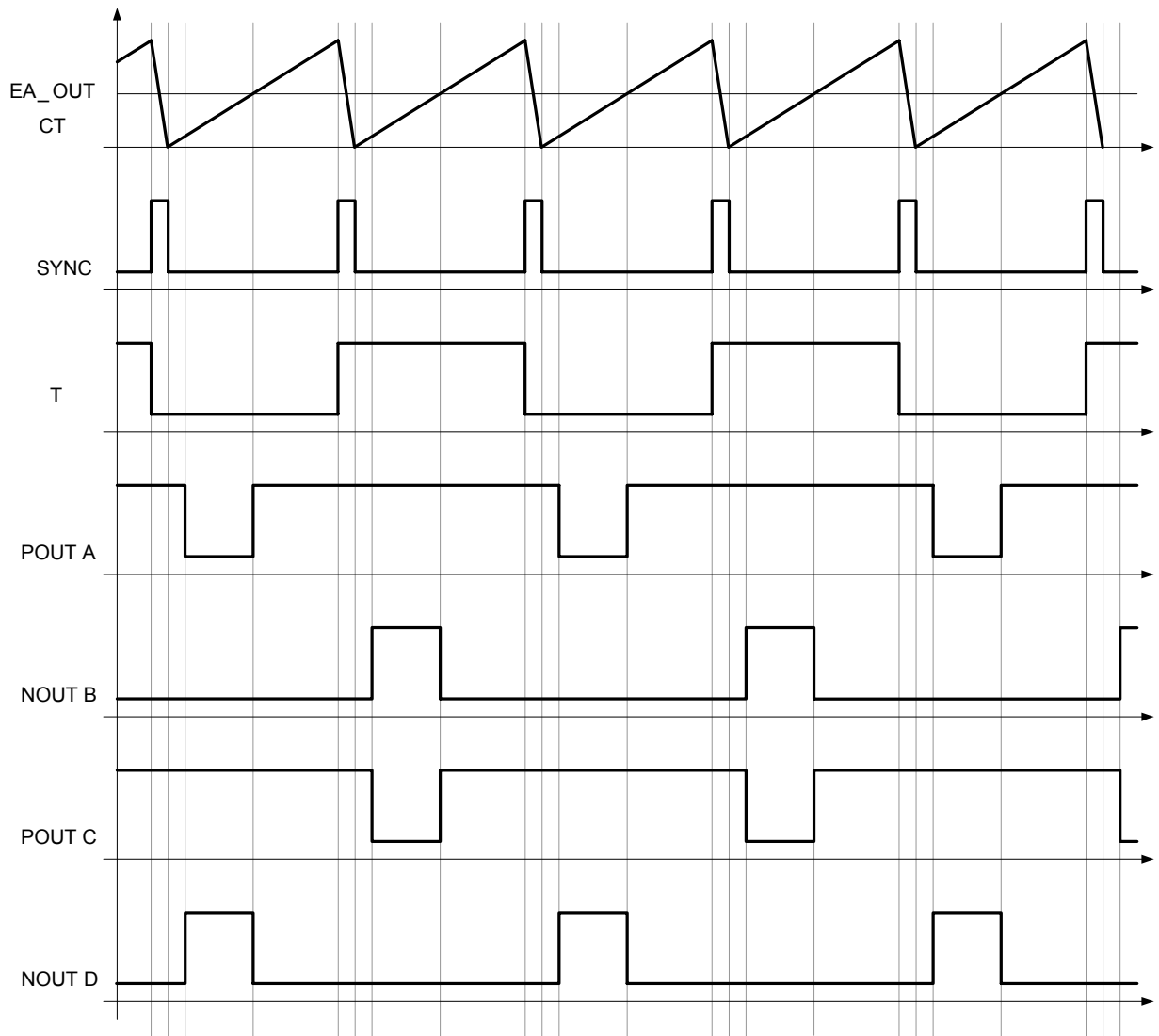
Output Drives: The four output drives are designed so that switches A and B, C and D never turn on simultaneously. The OUTA-OUTB pair is intended to drive one half-bridge in the external power stage. The OUTC-OUTD pair drives the other half-bridge.

Open-lamp Regulation and Open-lamp Protection:

It is necessary to suspend power stage operation if an open lamp occurs, because the power stage has high gain. When a voltage higher than 2V is applied to the OLR pin, the part enters regulation mode and controls the EA_OUT voltage. This limits the lamp voltage by summing 105µA into the feedback node. At the same time, the OLP capacitor, connected to the OLP pin, is charged by the 1.4µA internal current source. Once it reaches 2.5V, the IC shuts down and all the output is high.

Timing Diagram

The FAN7314 uses the half-bridge to drive CCFL.



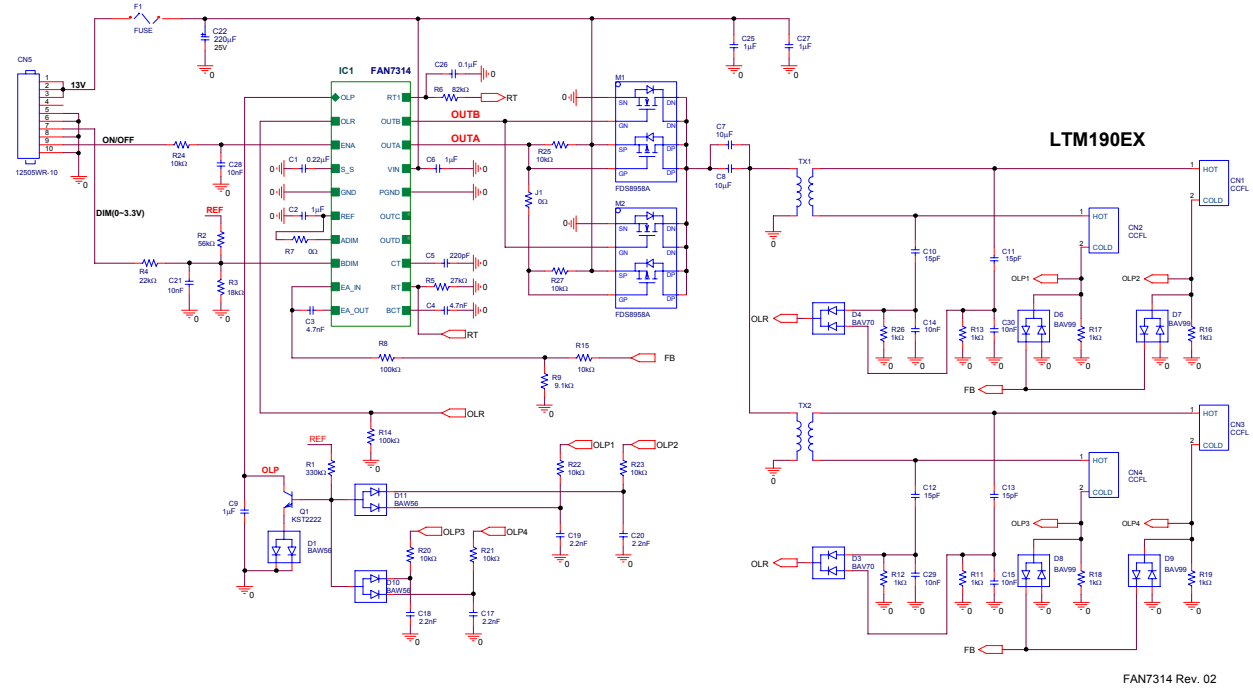
FAN7314 Rev. 02



Typical Application Circuit

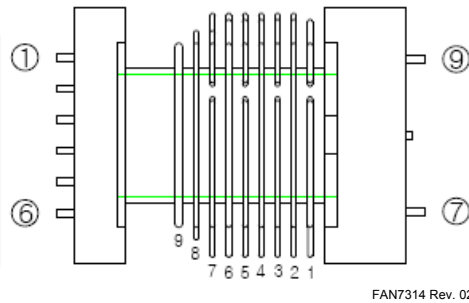
Application	Lamps	Input Voltage
19 inch LCD Monitor	4	13V

1. Schematic



2. Transformer Schematic Diagram

Supported by Namyang electronics (<http://www.namyangelec.co.kr>)



3. Core & Bobbin

- Core: EFD2124
- Material: PL7
- Bobbin: EFE2124

4. Winding Specification

Pin No.	Wire	Turns	Inductance	Leakage Inductance	Remarks
5 --> 2	1 UEW 0.45 ϕ	12	180 μ H	7.2 μ H	1KHz, 1V
7 --> 9	1 UEW 0.04 ϕ	2430 (270*9)	7.2H	330mH	1KHz, 1V

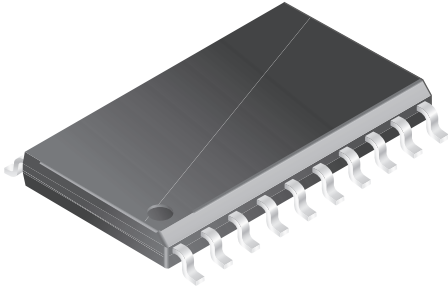
5. BOM of the Application Circuit

Part Ref.	Value	Description /Vendor	Part Ref.	Value	Description /Vendor
Fuse			C5	220pF	50V 1608 J
F1	24V 3A	Fuse	C6	1 μ F	50V 2012 K
Resistor (SMD)			C7	10 μ F	16V 3216
R1	330k Ω	1608 J	C8	10 μ F	16V 3216
R2	56k Ω	1608 F	C9	1 μ F	16V 1608 K
R3	18k Ω	1608 F	C10	15pF	3KV 3216
R4	22k Ω	1608 F	C11	15pF	3KV 3216
R5	27k Ω	1608 F	C12	15pF	3KV 3216
R6	82k Ω	1608 F	C13	15pF	3KV 3216
R8	100k Ω	1608 F	C14	10nF	50V 1608 K
R9	9.1k Ω	1608 F	C15	10nF	50V 1608 K
R11	1k Ω	1608 F	C17	2.2nF	50V 1608 Z
R12	1k Ω	1608 F	C18	2.2nF	50V 1608 Z
R13	1k Ω	1608 F	C19	2.2nF	50V 1608 Z
R14	100k Ω	1608 F	C20	2.2nF	50V 1608 Z
R15	10k Ω	1608 F	C21	10nF	50V 1608 Z
R16	1k Ω	1608 F	C25	1 μ F	50V 2012 K
R17	1k Ω	1608 F	C26	0.1 μ F	16V 1608 K
R18	1k Ω	1608 F	C27	1 μ F	50V 2012 K
R19	1k Ω	1608 F	C28	10nF	50V 1608 Z
R20	10k Ω	1608 J	C29	10nF	50V 1608 K
R21	10k Ω	1608 J	C30	10nF	50V 1608 K
R22	10k Ω	1608 J	Diode / TR (SMD)		
R23	10k Ω	1608 J	D1	BAW56	Fairchild Semiconductor
R24	10k Ω	1608 J	D3	BAV70	Fairchild Semiconductor
R25	10k Ω	1608 J	D4	BAV70	Fairchild Semiconductor
R26	1k Ω	1608 F	D6	BAV99	Fairchild Semiconductor
R27	10k Ω	1608 J	D7	BAV99	Fairchild Semiconductor
Capacitor (SMD)			D8	BAV99	Fairchild Semiconductor
C1	0.22 μ F	16V 1608 K	D9	BAV99	Fairchild Semiconductor
C2	1 μ F	50V 2012 K	D10	BAW56	Fairchild Semiconductor
C3	4.7nF	50V 1608 K	D11	BAW56	Fairchild Semiconductor
C4	4.7nF	50V 1608 K	Q1	KST2222	Fairchild Semiconductor

5. BOM of the Application Circuit (Continued)

Part Ref.	Value	Description /Vendor	Part Ref.	Value	Description /Vendor
Electrolytic capacitor			Wafer (SMD)		
C22	220 μ F	25V	CN1	35001WR-02A	
MOSFET (SMD)			CN2	35001WR-02A	
M1	FDS8958A	Fairchild Semiconductor	CN3	35001WR-02A	
M2	FDS8958A	Fairchild Semiconductor	CN4	35001WR-02A	
Transformer (SMD)			CN5	12505WR-10	
TX1	EFD2124	Supported by Namyang electronics (http://www.namyangelec.co.kr)			
TX2	EFD2124				

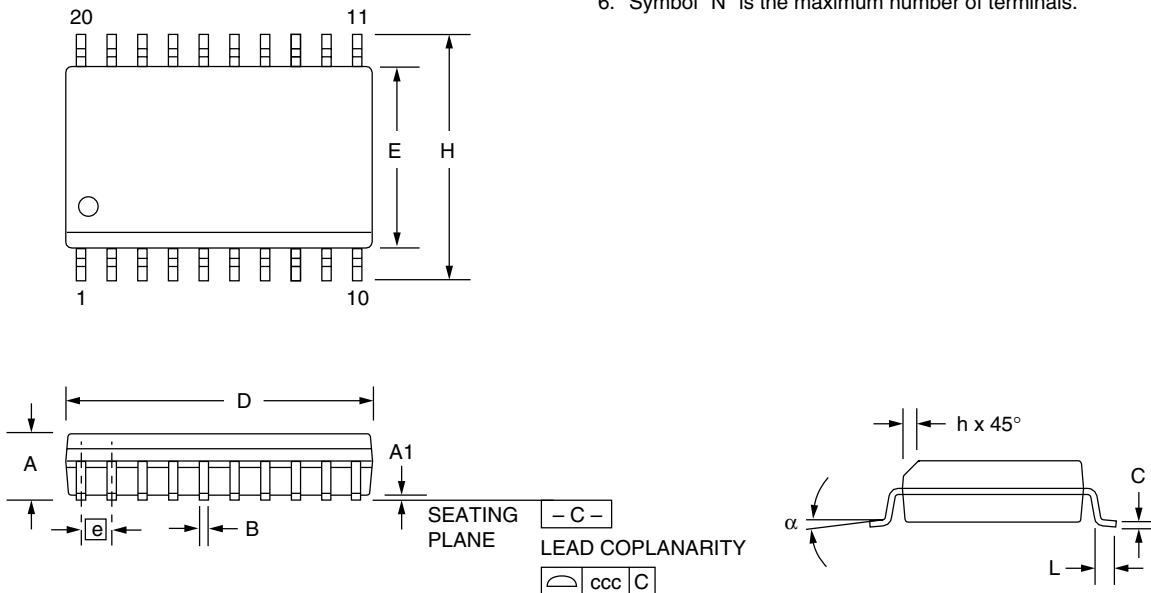
Mechanical Dimensions



Symbol	Inches		Millimeters		Notes
	Min.	Max.	Min.	Max.	
A	.093	.104	2.35	2.65	
A1	.004	.012	0.10	0.30	
B	.013	.020	0.33	0.51	
C	.009	.013	0.23	0.32	5
D	.496	.512	12.60	13.00	2
E	.291	.299	7.40	7.60	2
e	.050 BSC		1.27 BSC		
H	.394	.419	10.00	10.65	
h	.010	.029	0.25	0.75	
L	.016	.050	0.40	1.27	3
N	20		20		6
α	0°	8°	0°	8°	
ccc	—	.004	—	0.10	

Notes:

1. Dimensioning and tolerancing per ANSI Y14.5M-1982.
2. "D" and "E" do not include mold flash. Mold flash or protrusions shall not exceed .010 inch (0.25mm).
3. "L" is the length of terminal for soldering to a substrate.
4. Terminal numbers are shown for reference only.
5. "C" dimension does not include solder finish thickness.
6. Symbol "N" is the maximum number of terminals.




January 2001, Rev. A

Figure 8. 20-lead Molded Small Outline Package(SOIC)



TRADEMARKS

The following are registered and unregistered trademarks and service marks Fairchild Semiconductor owns or is authorized to use and is not intended to be an exhaustive list of all such trademarks.

- | | | | |
|--------------------------------------|--|--|----------------------------------|
| ACEx [®] | Green FPS [™] | Power247 [®] | SuperSOT [™] -8 |
| Build it Now [™] | Green FPS [™] e-Series [™] | POWEREDGE [®] | SyncFET [™] |
| CorePLUS [™] | GTO [™] | Power-SPM [™] | The Power Franchise [®] |
| CROSSVOLT [™] | i-Lo [™] | PowerTrench [®] | the power franchise |
| CTL [™] | IntelliMAX [™] | Programmable Active Droop [™] | TinyBoost [™] |
| Current Transfer Logic [™] | ISOPLANAR [™] | QFET [®] | TinyBuck [™] |
| EcoSPARK [®] | MegaBuck [™] | QS [™] | TinyLogic [®] |
| f [®] | MICROCOUPLER [™] | QT Optoelectronics [™] | TINYOPTO [™] |
| Fairchild [®] | MicroFET [™] | Quiet Series [™] | TinyPower [™] |
| Fairchild Semiconductor [®] | MicroPak [™] | RapidConfigure [™] | TinyPWM [™] |
| FACT Quiet Series [™] | MillerDrive [™] | SMART START [™] | TinyWire [™] |
| FACT [®] | Motion-SPM [™] | SPM [®] | μSerDes [™] |
| FAST [®] | OPTOLOGIC [®] | STEALTH [™] | UHC [®] |
| FastvCore [™] | OPTOPLANAR [®] | SuperFET [™] | UniFET [™] |
| FPS [™] |  [®] | SuperSOT [™] -3 | VCX [™] |
| FRFET [®] | PDP-SPM [™] | SuperSOT [™] -6 | |
| Global Power Resource SM | Power220 [®] | | |

DISCLAIMER

FAIRCHILD SEMICONDUCTOR RESERVES THE RIGHT TO MAKE CHANGES WITHOUT FURTHER NOTICE TO ANY PRODUCTS HEREIN TO IMPROVE RELIABILITY, FUNCTION, OR DESIGN. FAIRCHILD DOES NOT ASSUME ANY LIABILITY ARISING OUT OF THE APPLICATION OR USE OF ANY PRODUCT OR CIRCUIT DESCRIBED HEREIN; NEITHER DOES IT CONVEY ANY LICENSE UNDER ITS PATENT RIGHTS, NOR THE RIGHTS OF OTHERS. THESE SPECIFICATIONS DO NOT EXPAND THE TERMS OF FAIRCHILD'S WORLDWIDE TERMS AND CONDITIONS, SPECIFICALLY THE WARRANTY THEREIN, WHICH COVERS THESE PRODUCTS.

LIFE SUPPORT POLICY

FAIRCHILD'S PRODUCTS ARE NOT AUTHORIZED FOR USE AS CRITICAL COMPONENTS IN LIFE SUPPORT DEVICES OR SYSTEMS WITHOUT THE EXPRESS WRITTEN APPROVAL OF FAIRCHILD SEMICONDUCTOR CORPORATION.

As used herein:

- Life support devices or systems are devices or systems which, (a) are intended for surgical implant into the body or (b) support or sustain life, and (c) whose failure to perform when properly used in accordance with instructions for use provided in the labeling, can be reasonably expected to result in a significant injury of the user.
- A critical component in any component of a life support, device, or system whose failure to perform can be reasonably expected to cause the failure of the life support device or system, or to affect its safety or effectiveness.

PRODUCT STATUS DEFINITIONS

Definition of Terms

Datasheet Identification	Product Status	Definition
Advance Information	Formative or In Design	This datasheet contains the design specifications for product development. Specifications may change in any manner without notice.
Preliminary	First Production	This datasheet contains preliminary data; supplementary data will be published at a later date. Fairchild Semiconductor reserves the right to make changes at any time without notice to improve design.
No Identification Needed	Full Production	This datasheet contains final specifications. Fairchild Semiconductor reserves the right to make changes at any time without notice to improve design.
Obsolete	Not In Production	This datasheet contains specifications on a product that has been discontinued by Fairchild Semiconductor. The datasheet is printed for reference information only.

Rev. I31