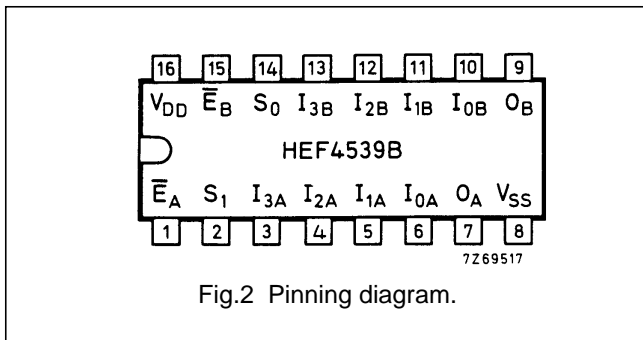
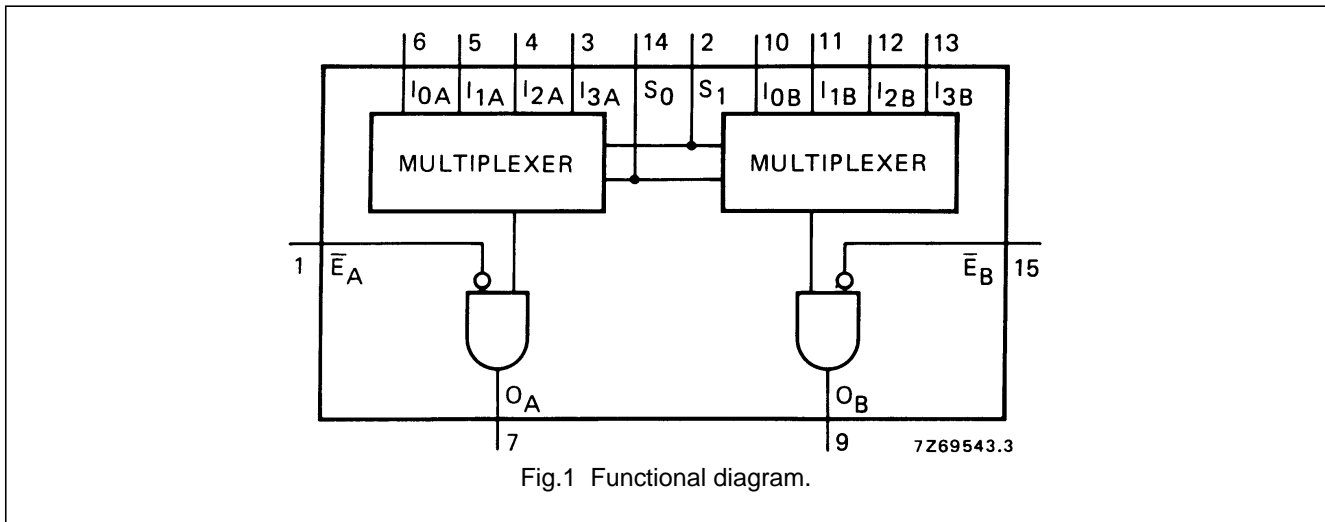


# Dual 4-input multiplexer

**HEF4539B**  
**MSI**

**DESCRIPTION**

The HEF4539B is a dual 4-input multiplexer with common select logic. Each multiplexer has four multiplexer inputs ( $I_0$  and  $I_3$ ), an active LOW enable input ( $\bar{E}$ ) and a multiplexer output (O). When HIGH,  $\bar{E}$  forces O of the respective multiplexer LOW, independent of the select inputs ( $S_0$  to  $S_1$ ) and  $I_0$  to  $I_3$ . When  $\bar{E}$  is LOW,  $S_0$  and  $S_1$  determine which multiplexer input ( $I_0$  to  $I_3$ ) on each of the multiplexers is routed to the respective multiplexer output (O).



**PINNING**

- $I_{0A}, I_{1A}, I_{2A}, I_{3A}$  multiplexer inputs
- $I_{0B}, I_{1B}, I_{2B}, I_{3B}$  multiplexer inputs
- $S_0, S_1$  select inputs
- $\bar{E}_A, \bar{E}_B$  enable inputs (active LOW)
- $O_A, O_B$  multiplexer outputs

**FAMILY DATA,  $I_{DD}$  LIMITS category MSI**

See Family Specifications

- HEF4539BP(N): 16-lead DIL; plastic (SOT38-1)
  - HEF4539BD(F): 16-lead DIL; ceramic (cerdip) (SOT74)
  - HEF4539BT(D): 16-lead SO; plastic (SOT109-1)
- ( ): Package Designator North America

Dual 4-input multiplexer

HEF4539B  
MSI

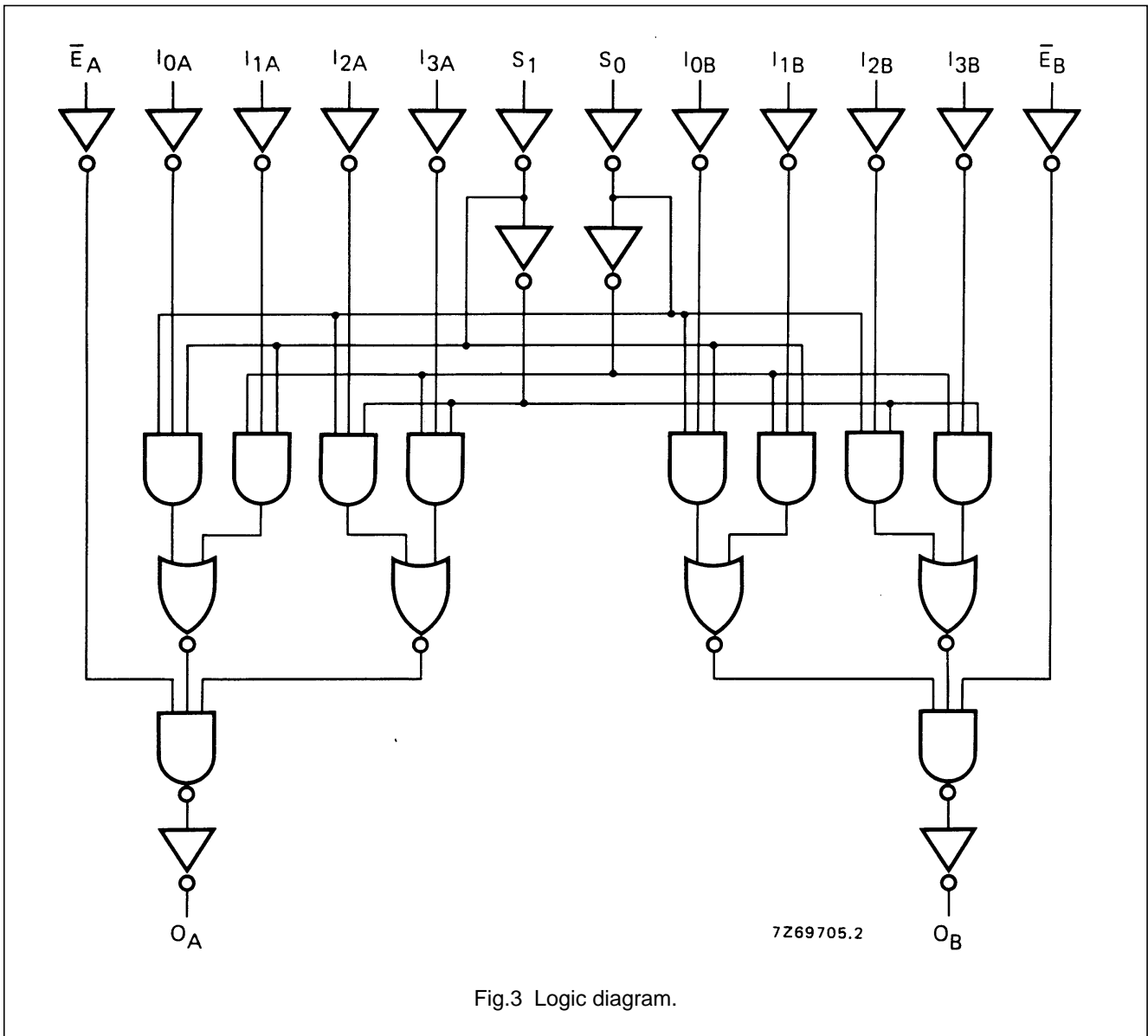


Fig.3 Logic diagram.

FUNCTION TABLE

INPUTS			OUTPUT
S <sub>0</sub>	S <sub>1</sub>	$\bar{E}_n$	O <sub>n</sub>
X	X	H	L
L	L	L	I <sub>0</sub>
H	L	L	I <sub>1</sub>
L	H	L	I <sub>2</sub>
H	H	L	I <sub>3</sub>

Notes

- H = HIGH state (the more positive voltage)  
L = LOW state (the less positive voltage)  
X = state is immaterial