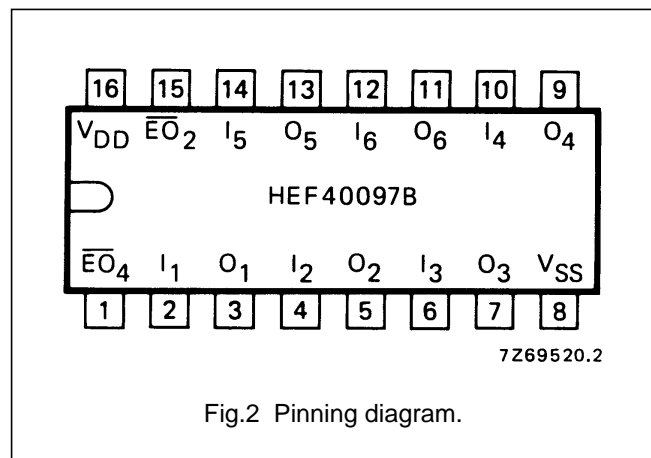
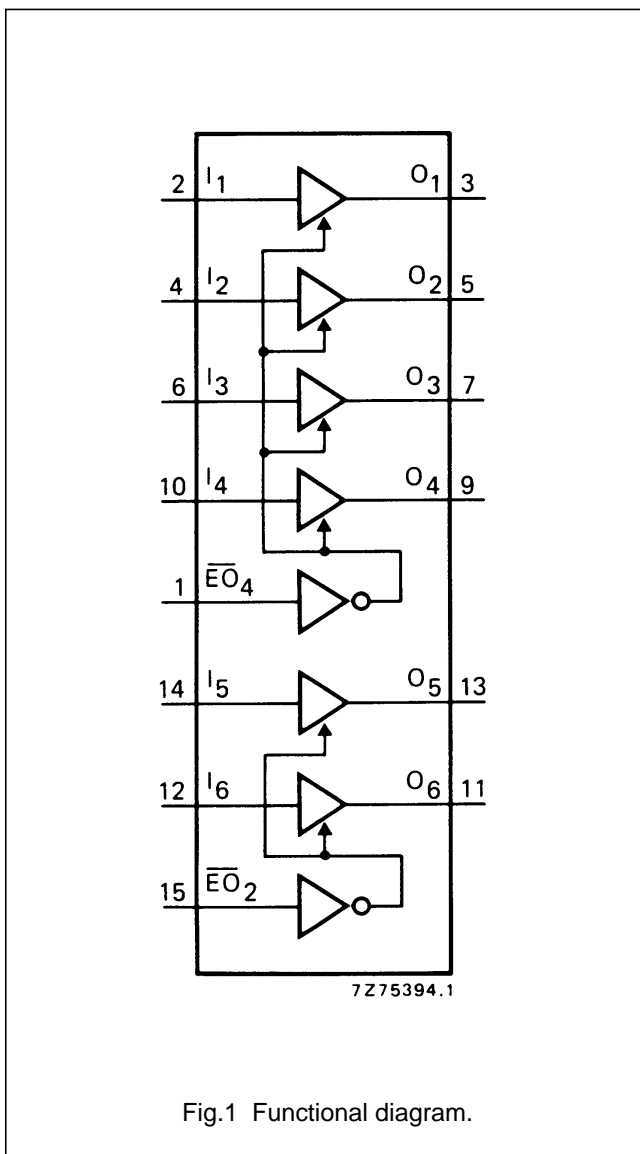


3-state hex non-inverting buffer

HEF40097B buffers

DESCRIPTION

The HEF40097B is a hex non-inverting buffer with 3-state outputs. The 3-state outputs are controlled by two enable inputs (\overline{EO}_4 and \overline{EO}_2). A HIGH on \overline{EO}_4 causes four of the six buffer elements to assume a high impedance or OFF-state, regardless of the other input conditions and a HIGH on \overline{EO}_2 causes the outputs of the remaining two buffer elements to assume a high impedance or OFF-state, regardless of the other input conditions.



- HEF40097BP(N): 16-lead DIL; plastic (SOT38-1)
- HEF40097BD(F): 16-lead DIL; ceramic (cerdip) (SOT74)
- HEF40097BT(D): 16-lead SO; plastic (SOT109-1)
- (): Package Designator North America

PINNING

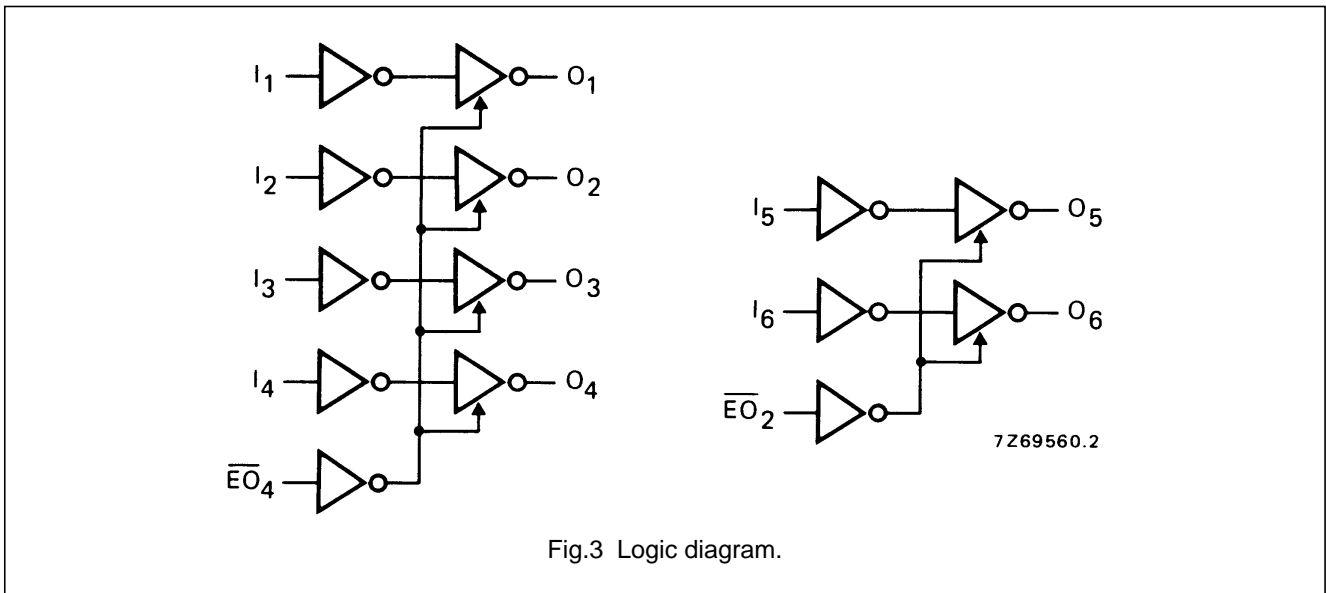
- I_1 to I_6 buffer inputs
- \overline{EO}_4 , \overline{EO}_2 enable inputs (active LOW)
- O_1 to O_6 buffer outputs (active HIGH)

FAMILY DATA, I_{DD} LIMITS category BUFFERS

See Family Specifications

3-state hex non-inverting buffer

HEF40097B
buffers



DC CHARACTERISTICS

V_{SS} = 0 V

HEF	V _{DD} V	V _{OH} V	V _{OL} V	SYMBOL	T _{amb} (°C)					
					-40		+25		+85	
					MIN.	MAX.	MIN.	MAX.	MIN.	MAX.
Output current HIGH	5	4,6		-I _{OH}	1,2	1,0	0,8	mA		
	10	9,5			3,8	3,2	2,5	mA		
	15	13,5			12,0	10,0	8,0	mA		
HIGH	5	2,5		-I _{OH}	3,8	3,2	2,5	mA		
Output current LOW	4,75		0,4	I _{OL}	3,5	2,9	2,3	mA		
	10		0,5		12,0	10,0	8,0	mA		
	15		1,5		24,0	20,0	16,0	mA		

HEC	V _{DD} V	V _{OH} V	V _{OL} V	SYMBOL	T _{amb} (°C)					
					-55		+25		+125	
					MIN.	MAX.	MIN.	MAX.	MIN.	MAX.
Output current HIGH	5	4,6		-I _{OH}	1,25	1,0	0,6	mA		
	10	9,5			4,0	3,2	2,1	mA		
	15	13,5			12,5	10,0	6,7	mA		
HIGH	5	2,5		-I _{OH}	4,0	3,2	2,1	mA		
Output current LOW	4,75		0,4	I _{OL}	3,6	2,9	1,9	mA		
	10		0,5		12,5	10,0	6,7	mA		
	15		1,5		25,0	20,0	13,0	mA		